

VARIO-Swivel joints

galvanised

Application

- For bracing assembly in combination with rails and support channels
- For stiffening frame constructions
- For brace assembly in combination with pipe clamps

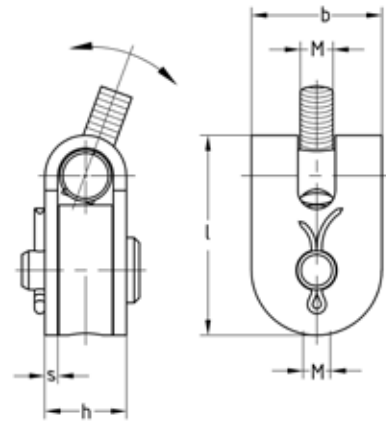
Your advantages

- Versatile areas of application
- Infinitely angle adjustment for maximum flexibility during assembly
- Combinable with the MPC, MPR and MPT support channel systems
- Two versions for different applications



Features

Connecting thread	Max. recommended tensile load [N]		
	0°	45°	90°
M10	11,500	3,700	3,500
M16	17,000	6,200	5,500



Connecting thread	Dimensions [mm]				Part no.	Sales unit	Pack unit
	b	h	L	s			
M10	40	24.5	65.8	4	170448	10	Pieces
M16	50	36.5	86.8	6			