

VARIO-Base plates galvanised

Application

- For bracing applications
- For stiffening frame constructions
- For bracing wall hanger brackets from the wall or ceiling

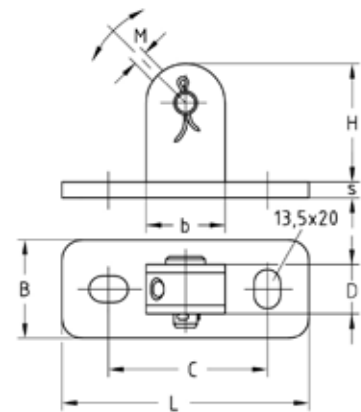
Your advantages

- Quicker and easier installation on site thanks to pre-assembled components
- Wide range of bracing applications from the wall and ceiling in combination with other VARIO components
- Combinable with the MPC, MPR and MPT support channel systems
- Two versions for different applications



Features

Connecting thread	Max. recommended tensile load [N]		
	0°	45°	90°
M10	6,800	10,000	12,000
M16	10,000	9,000	13,000



Connecting thread	Hole-centre distance C [mm]	Dimensions [mm]						s	Part no.	Sales unit	Pack unit
		B	b	D	H	L					
M10	80.5	50	40	24.5	65.8	125	8	170450	10	Pieces	
M16	120.5	60	50	36.5	86.8	165		170451			