

VARIO-Bolt joint galvanised

Application



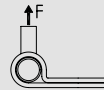
- For bracing assembly in combination with support channels
- For stiffening frame constructions
- For brace assembly in combination with pipe clamps

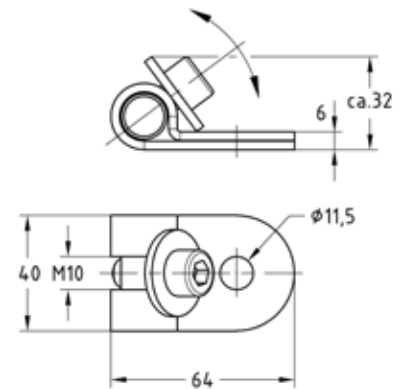
Your advantages

- Continuous adjustable range
- Easy to use - minimal installation effort
- Versatile areas of application
- Compatibility with existing support channel systems




Features

Max. recommended tensile load [N]		
0°	45°	90°
		
4,000	3,000	1,000



Connecting thread	Part no.	Sales unit	Pack unit
M10	170452	20	Pieces

 Two nuts are to be used for countering.