

Spacer galvanised

Application

- For decoupled attachment of air ducts in connection with support channels
- Decoupling of frame constructions

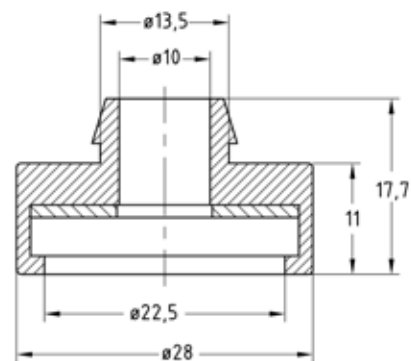
Your advantages

- Easy and quick installation due to the pre-installed washer in the insulation part
- Protective grommet to prevent contact between the screw or threaded rod and the mounted object



Features

Temperature range -30 °C to +60 °C



Connecting thread M8/M10	Part no. 175723	Sales unit 100	Pack unit Pieces
-----------------------------	--------------------	-------------------	---------------------

