

MPR-Quick fasteners type S+

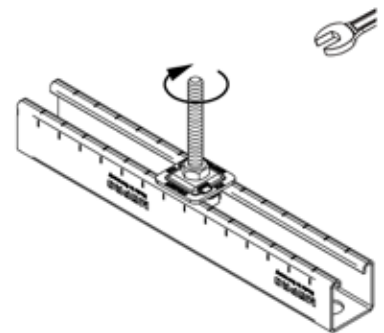
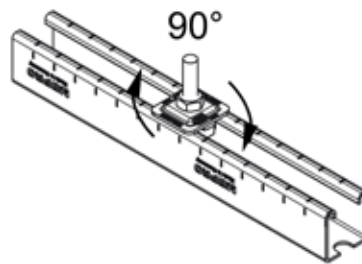
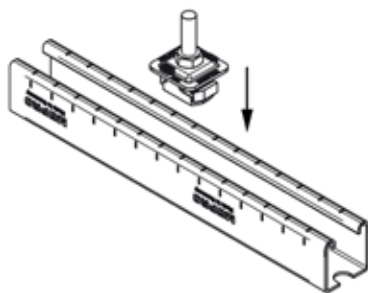
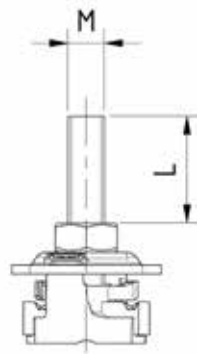
with external thread, galvanised

Application

- For safe and fast connecting of pipe clamps in the rail slot of MPR-Support channels
- For use in dry interiors

Your advantages

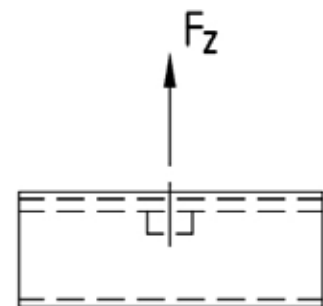
- Time-saving attachment in the channel slot, even if subsequently fitted between existing pipe sections
- Safely retained after screwing in, alignable until screw is tightened
- Secure interlocking design for a positive connection with the MPR-Support channels
- Suitable for all MPR-Support channels 41/21 to 41/124



Features



Material thickness of support channel [mm]	Max. recommended tensile load F_z [N]		Tightening torque [Nm]	
	M8	M10	M8	M10
1.5	3,100	3,100	9	17
2.0	4,500	4,500		
2.5		5,000		



Size	For profiles	Connecting thread	Length [mm]	Usable thread length L [mm]	Part no.	Sales unit	Pack unit
M8 x 10	41/21-41/124	M8	44	10	175733	50	Pieces
M8 x 30			74	30	175734		
M8 x 50			84	50	175735		
M8 x 70			104	70	175736		
M8 x 90			124	90	175737		
M10 x 10			M10	M10	44		
M10 x 30	74	30			175739		
M10 x 50	84	50			175740		
M10 x 70	104	70			175741		
M10 x 90	124	90			175742		