

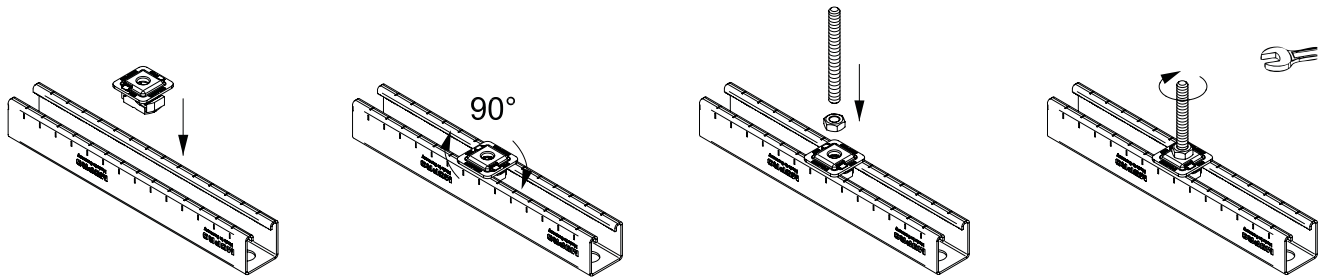
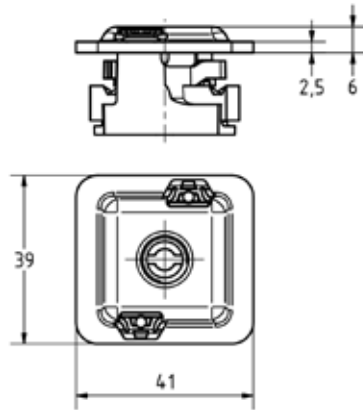
MPR-Quick fasteners type S+ stainless steel

Application

- For safe and fast connecting of pipe clamps and mounting parts in the rail slot of MPR-Support channels
- For indoor and outdoor use

Your advantages

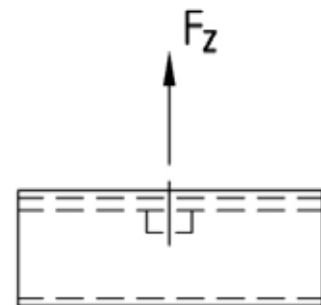
- Time-saving attachment in the channel slot, even if subsequently fitted between existing pipe sections
- Safely retained after screwing in, alignable until screw is tightened
- Secure interlocking design for a positive connection with the MPR-Support channels
- Suitable for all MPR-Support channels 41/21 to 41/124



Features



Material thickness of support channel [mm]	Max. recommended tensile load Fz [N]		Tightening torque [Nm]	
	M8	M10	M8	M10
2.0	7,000	7,000	10	20
2.5	12,000	12,000		



For profiles	Connecting thread	Material	Part no.	Sales unit	Pack unit
41/21-41/124	M8	V4A	166290	50	Pieces
	M10		166291		