

Beam clamp with jetty

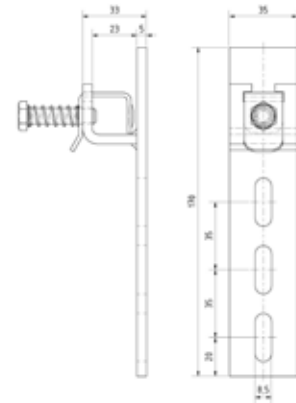
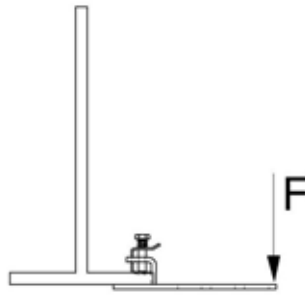
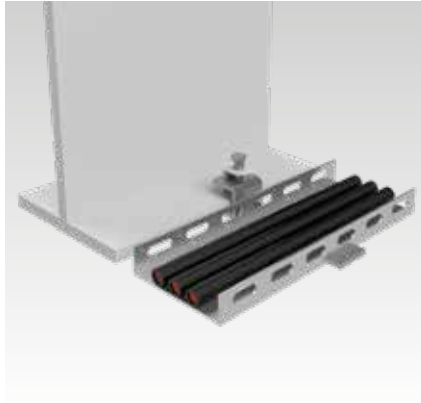
zinc lamella coating

Application

- For quick and easy connection of light cable trays to T-beams in the ship's structure without welding

Your advantages

- Using just a single screw connection with little time required for fixing in comparison to the conventional fastenings
- Direct and flexible attachment to any position on the T-beam
- Subsequent fixing also possible after conclusion of the „hot work“
- Slip-resistant fastening to the bulb profile without damaging the corrosion protection due to clamp mechanism



Features

Max. recommended load [N]	Tightening torque [Nm]
200	6

Part no. 173275	Sales unit 1	Pack unit Pieces
--------------------	-----------------	---------------------