

MPR-3D-Connectors type S+1

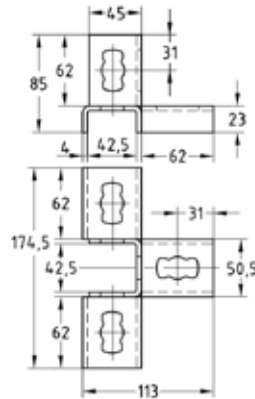
hot-dip galvanised

Application

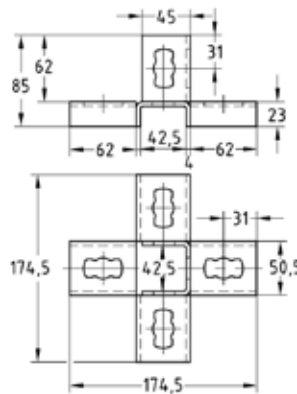
- Fasteners for three-dimensional structures e.g. when installing floors in technical rooms on ships

Your advantages

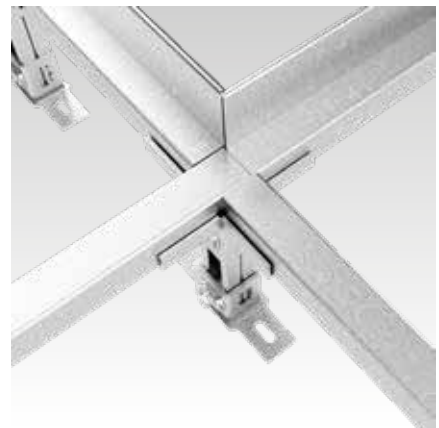
- Fast and simple installation of three-dimensional connections joints in combination with the MPR-Connection lock type S+
- The cross connector enables different rail geometries to be connected at the junction without additional components
- In combination with Saddle support type S+1, stand heights of ≥ 180 mm can be realized
- Applicable for cramped installation conditions
- Weight savings due to compact product design



MPR-Mid connector type S+1



MPR-Cross connector type S+1



Design	For profiles	Part no.	Sales unit	Pack unit
Mid connector	41/21, 41/41	176256	10	Pieces
Cross connector		176257		