

MPR-Saddle supports type S+1

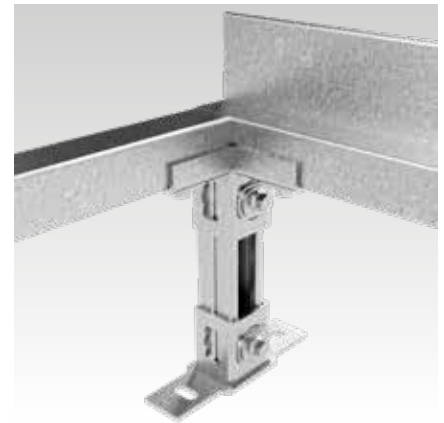
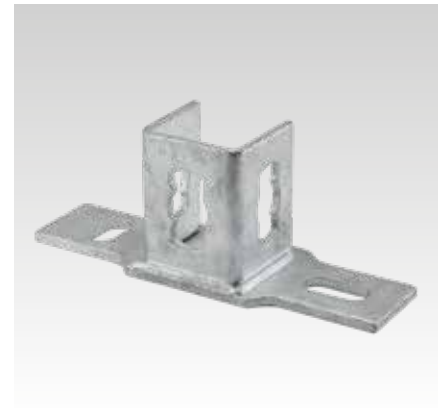
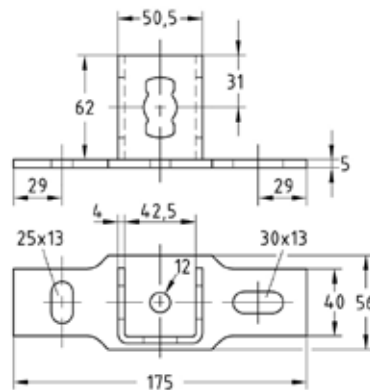
hot-dip galvanised

Application

- Fasteners between three-dimensional structures and mounting base e.g. when installing floors in technical rooms on ships

Your advantages

- Easily connected with the MPR-Support channels due to installation with the MPR-Connection lock type S+
- Good load transfer due to the high bending stiffness of the saddle connection
- In combination with MPR-3D-Connectors type S+1, stand heights of ≥ 180 mm can be realized
- Applicable for cramped installation conditions
- Weight savings due to compact product design
- Elongated- and cross-holes for direct attachment to the mounting base



For profiles	Part no.	Sales unit	Pack unit
41/21-41/62	176258	10	Pieces

