

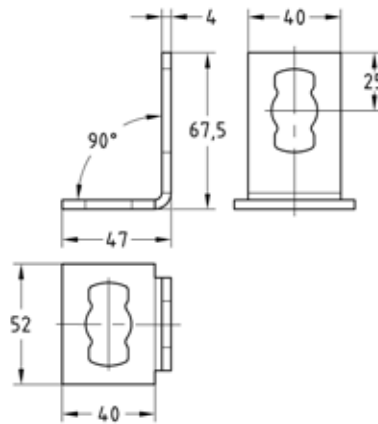
### MPR-Mounting angle 90° type S+ QL hot-dip galvanised

#### Application

- Stable mounting angle for 90° connections in cramped mounting situations
- For indoor and outdoor use

#### Your advantages

- Fast and simple installation of 90° corner joints with the MPR-Connection lock type S+
- The mounting angle allows a stable connection of transverse and longitudinal support channels



Design	For profiles	Part no.	Sales unit	Pack unit
1+1 QL	41/21-41/124	175785	25	Pieces

