

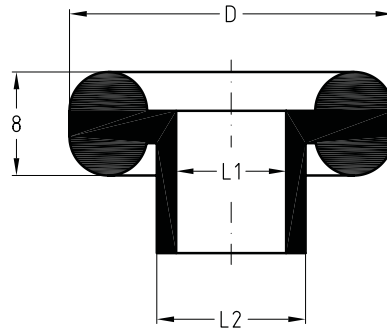
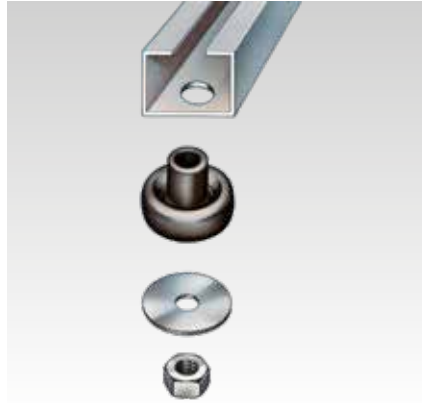
DÄMMGULAST® Washers

Application

- Vibration control of traverses and pipe bridges made of MPC-Support channels
- Can be fitted using screws, threaded pins and rods up to M10
- Ideal supplement to DÄMMGULAST® Resilient pad in channel installation

Your advantages

- Highly elastic vibration decoupler for light compressive loadings
- Protective bushing against metal contact
- Very simple installation without additional work
- Noise reduction of up to 18 dB(A)



Features



Type	For thread	Dimensions [mm]			Part no.	Sales unit	Pack unit
		D	L1	L2			
DÄMMGULAST® Washers	M8	24	8.5	11	107087	100	Pieces
		28			107089		
	M10	34	10.5	14	107086		
Washers	M8	28	8.5	-	127229		
	M10	36	10.5		127121		

⚠ For an even load distribution, always combine DÄMMGULAST® Washers with metal washers. Maximum recommended loading: 300 N.