

DÄMMGULAST® Channel sections

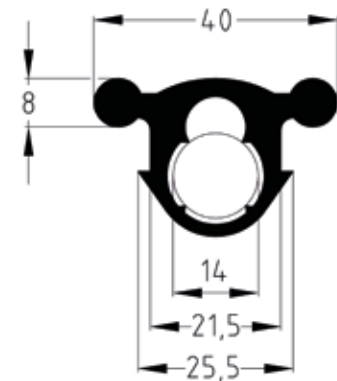
for MPR-Profiles

Application

- Ideal for the decoupling of traverses for air duct fixtures
- For secure vibration-decoupling of MPR-Support channels

Your advantages

- Easy installation by inserting into MPR-Support channels and/or screwing onto threaded rods
- Prevents structure-borne noise coupling by avoiding contact between the air duct and the threaded rods
- Interlocking profile prevents channel section being pushed out
- Prevents fluttering and other vibration noises in the air ducts
- Small contact surface, large absorption mass



Features



Design	For profiles	Suitable for	Part no.	Sales unit	Pack unit
DÄMMGULAST® Channel sections roll of 20 m	41/21-41/124	Channels with slot widths of 22 mm, M8 and M10 threaded rods	151189	1	Roll
DÄMMGULAST® Channel sections section of 50 mm			155366	200	Pieces

- ⚠** When installing air conditioning and ventilation equipment, MPR-Support channels can be used as load-bearing traverses. Structure-borne vibration coupling bridges resulting from direct metal contact between the air duct and the traverse or threaded rods can be prevented by the use of DÄMMGULAST® Channel section as intermediate layer. The DÄMMGULAST® Channel section was developed especially for these application areas and provides the optimum solution from a practical installation point of view.

