

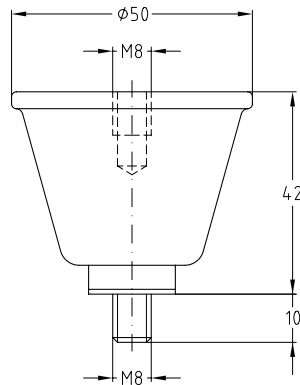
### Vibration control element galvanised

#### Application

- Versatile use, e.g. for the fixing of pipelines, air ducts and equipment
- For the vibration-damped suspension of sound absorbing ceilings
- Suitable for ceiling, wall or floor mounting

#### Your advantages

- High noise reduction of up to 26 dB(A)
- With self-extinguishing, decoupling washer
- Does not tear out in case of fire due to steel casing



#### Features



Average vibration reduction [dB(A)]	26
Max. recommended tensile load axial [N]	600
Max. recommended compression load axial [N]	300
Max. recommended compression load radial [N]	200

Connecting thread	Part no.	Sales unit	Pack unit
M8	117722	50	Pieces

