

### Duo galvanised

#### Application

- Suitable for fixings in shipbuilding and industrial areas
- Suitable for fastening of drinking water and heating pipes
- For indoor use

#### Your advantages

- The easy to install quick fastening enables the efficient pipe support in any position
- Quick and reliable snapping in of the fastener once the clamp is closed, holding the pipe securely

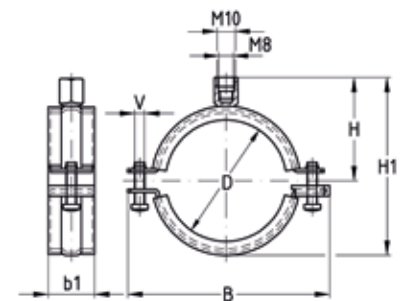
- The easy to swivel lower clamp half allows opening and closing of the pipe clamp with only one hand
- Captive fastening bolts
- Wide opening of the clamp due to the swivelling ability of the lower clamp half
- Low vibration entry and exit areas due to the ribbed profile of the DÄMMGULAST® lining
- Connection thread M8/M10 for suspended, floor or wall mounting
- DÄMMGULAST® vibration control lining with green identification stripe: average sound level improvement up to 18 dB(A)



#### Features



Size	Max. recommended load [N]
12 mm - 2"	700
70 mm - 4"	1,000



Connecting thread M M8/M10	Size		Clamping range [mm]	Dimensions [mm]					Part no.	Sales unit	Pack unit
	[inch]	[mm]		b1	B	H	H1	V			
		12	12 - 15	22.5	45	28	38	M5	142938	100	Pieces
	3/8"		15 - 19		51	30	44		142939		
	1/2"		20 - 25		57	33	50		142940		
	3/4"		25 - 30		63	37	56		142941		
	1"		33 - 37		70	40	64		142942		
	1 1/4"		42 - 46		80	45	72		142943		
	1 1/2"		47 - 52		86	48	79		142944		
		57	54 - 58		91	50	84	142945	50		
	2"		59 - 63		96	53	88	142946			
		70	68 - 73		118	60	104	M6		142947	
	2 1/2"		72 - 80		127	65	113	142948			
		83	82 - 85		132	68	119	142949			
	3"		89 - 92		139	71	125	142950			
		102	99 - 103		151	77	137	142951			
		110	108 - 112	160	81	145	142952				
	4"		112 - 118	164	83	149	142953				