

Pipe clamps, DIN 3567

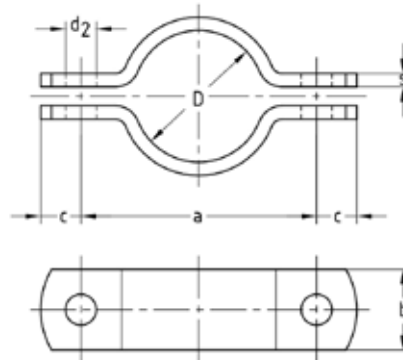
form A

Application

- For high static loading requirements in plant construction
- Distribution of heavy loads when mounting pipes with great span lengths

Your advantages

- Material S235JR according to DIN 17100 approved for operating temperatures up to 300 °C
- Nominal size DN 15 is similar to DIN 3567, form A



Features

Material	Code for material	Surface	Code for surface
S235JR (St37)	W37	untreated	OR
V2A stainless steel	WA2	hot-dip galvanised	OF
V4A stainless steel	WA4		

Pipe outer Ø D [mm]	Nominal size DN	Dimensions [mm]					Accessories: hexagon head bolts	Design W37-OR Part no.	Design W37-OF Part no.	Design WA2 Part no.	Design WA4 Part no.	Sales unit	Pack unit
		a	b	c	d2	s							
20	15	57	30	15	11.5	5	M10 x 30 mm	115466	115463	126682	126684	1	Pieces
22		59						115478	115475	126692	126694		
25	20	62						115493	115490	126700	126702		
27		66						115508	115505	126708	126710		
30	25	68						115771	115768	126720	126722		
34		72						115792	115789	126732	126734		
38	32	76						115809	115806	126744	126746		
43		82						115827	115824	126756	126758		
45	40	84						115833	115830	126760	126762		
49		88						115840	115837	126764	126766		
57	50	104	40	18	14	6	M12 x 35 mm	115861	115858	126776	126778		
61		108						115867	115864	126782	126784		
77	65	122						115879	115876	126788	126790		
89	80	136						115890	115888	126792	126794		
108	100	172	50	24	18	8	M16 x 45 mm	115409	115406	126646	126648		
115		178						115415	115412	126650	126652		
133	125	196						115427	115424	126656	126658		
140		204						115433	115430	126660	126662		
159	150	222						115442	115439	126664	126666		
169		232						115448	115445	126670	126672		
191	175	254						115454	115451	126674	126676		
194		258						115460	115457	126678	126680		
216	200	280						115472	115469	126688	126690		
220		284						115487	115481	126696	126698		
267	250	342	60	30	23		M20 x 50 mm	115502	115499	126704	126706		
273		348						115514	115511	126712	126714		
318	300	392						115780	115777	126724	126726		
324		398						115786	115783	126728	126730		
356	350	432						115797	115795	126736	126738		
368		444						115803	115800	126740	126742		
407	400	498	70	36	27	10	M24 x 60 mm	115815	115812	126748	126750		
419		510						115821	115818	126752	126754		
508	500	600						115846	115843	126768	126770		
521		614						115852	115849	126772	126774		

Two identical half-shells are supplied per clamp ordered. Corresponding bolts and nuts must be ordered separately (refer to chapter „Accessories“).