

Single bossed clamps

heavy-duty version, with DÄMMGULAST® yellow, galvanised

Application

- Suitable combination for pipelines with dynamic loads with expansion points
- Suitable for fixings in shipbuilding and industrial areas
- Suitable for fixings in air-conditioning, ventilation and sanitary areas
- For indoor use

Your advantages

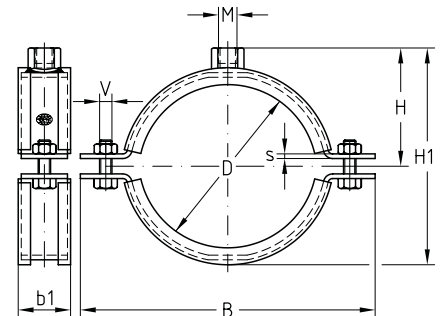
- Proven two-part clamp with increased material cross-section
- Stronger tightening bolts for high load capacity
- DÄMMGULAST® vibration control lining with yellow identification stripe: average sound level improvement up to 22 dB(A)



Features



Size	Connecting thread	Max. recommended load [N]
1½" - 2"	M12	4,200
2½" - 4"		5000
125 mm - 6"		6,700
180 - 280 mm	M12/M16/½" ET	7,500
	M12/M16/½" IT	
	M12/M16/1" IT	
300 - 315 mm	M12	7500
	M12/M16/½" ET	11,000
	M12/M16/½" IT	
	M12/M16/1" IT	
323 - 355 mm	M12	9,000
	M12/M16/½" ET	11,000
	M12/M16/½" IT	11000
	M12/M16/1" IT	11,000
405 - 429 mm	M12/M16/½" ET	12,500
	M12/M16/½" IT	
	M12/M16/1" IT	
450 - 635 mm	M12/M16/½" ET	17,000
	M12/M16/½" IT	17000
	M12/M16/1" IT	17,000



Connecting thread	Size		Clamping range [mm]	Dimensions [mm]							Part no.	Sales unit	Pack unit
	[inch]	[mm]		b	s	b1	B	H	H1	V			
M12	1½"	83	48 - 54	30	3	34	110	49	82	M8	121914	50	Pieces
			57 - 64				126	57	99		122099		
			72 - 80				144	63	111	M10	122111		
	2"	102	79 - 85				146	65	114	M8	122534		
			88 - 92				159	69	122		M10		
			99 - 103				170	75	134	121934			
	2½"	102	108 - 118				170	75	134	M10	121934		
							184	82	149		122353		

! Single bossed clamps can be produced in all other pipe sizes and types according to customer specifications. For use in areas with requirements on the duration of fire resistance, the boundary conditions set out in the fire test report must be observed.

Single bossed clamps

heavy-duty version, with DÄMMGULAST® yellow, galvanised

Connecting thread M	Size		Clamping range [mm]	Dimensions [mm]							Part no.	Sales unit	Pack unit					
	[inch]	[mm]		b	s	b1	B	H	H1	V								
M12		125	121 - 127	40	4	46	204	88	160	M10	121998	20	Pieces					
		133	133 - 141				212	95	176		122018							
	5"		138 - 144				217	96	177		122429							
		160	159 - 168				235	105	195		122052							
	6"		164 - 170				242	109	204		122473							
		180	176 - 182				260	118	220		122079							
		200	193 - 203				280	125	235		122123							
		212	208 - 214				299	130	245		122151							
		219	217 - 224				302	136	257		122167							
		225	222 - 228					138	260		122187							
		250	244 - 254				330	148	285		122214							
		267	267 - 277				360	163	311		122234							
		280	278 - 282					165	315		122250							
		300	296 - 302				382	178	339		122270							
		315	313 - 318				394	183	350		122294							
		323	320 - 326				415	188	360		122305							
		355	353 - 360				447	204	392		122325							
	M12/M16/1/2" ET		212				208 - 212	40	4		46	315		141	261	M16	166476	1
			223				219 - 225					326		147	272		166477	
		248	244 - 250				351					159		297	166478			
272		267 - 274	375	171	321	166479												
280		276 - 282	383	175	329	166480												
315		311 - 316	421	194	370	166481												
326		322 - 327	432	199	381	166482												
355		351 - 356	461	214	410	166483												
405		400 - 407	511	239	460	166484												
429		425 - 430	535	251	484	166485												
450		446 - 451	559	262	506	166486												
457		453 - 458	566	266	513	166487												
500		495 - 501	609	287	556	166488												
508		503 - 509	617	291	564	166489												
532		527 - 533	641	303	582	166490												
560		555 - 561	669	317	602	166491												
610		605 - 611	719	342	641	166492												
635		630 - 636	744	355	691	166493												
M12/M16/1/2" IT			212	208 - 214	40	4	46			315		160	280		167429			
			223	219 - 225						326		166	291		167430			
	248	244 - 250	351	178				316	167431									
	272	267 - 274	375	190				340	167432									
	280	276 - 282	383	194				348	167433									
	315	311 - 316	421	213				389	167434									
	326	322 - 327	432	218				400	167435									
	355	351 - 356	461	233				429	167436									
	405	400 - 407	511	258				479	167437									
	429	425 - 430	535	270				503	167438									



Single bossed clamps can be produced in all other pipe sizes and types according to customer specifications.

For use in areas with requirements on the duration of fire resistance, the boundary conditions set out in the fire test report must be observed.

Single bossed clamps

heavy-duty version, with DÄMMGULAST® yellow, galvanised

Connecting thread M	Size		Clamping range [mm]	Dimensions [mm]							Part no.	Sales unit	Pack unit
	[inch]	[mm]		b	s	b1	B	H	H1	V			
M12/M16/½" IT		450	446 - 451	60	6	66	559	281	525	M16	167439	1	Pieces
		457	453 - 458				566	285	532		167440		
		500	495 - 501				609	306	575		167441		
		508	503 - 509				617	310	583		167442		
		532	527 - 533				641	322	601		167443		
		560	555 - 561				669	336	621		167444		
		610	605 - 611				719	361	660		167445		
		635	630 - 636				744	374	710		167446		
	M12/M16/1" IT		212				208 - 214	40	4		46		
		223	219 - 225	326	184	309	167470						
		248	244 - 250	351	196	334	167471						
		272	267 - 274	375	208	358	167472						
		280	276 - 282	383	212	366	167473						
		315	311 - 316	50	5	57	421			231		407	167474
		326	322 - 327				432	236	418	167475			
		355	351 - 356				461	251	447	167476			
		405	400 - 407				511	276	497	167477			
		429	425 - 430				535	288	521	167478			
		450	446 - 451				60	6	66	559	299	543	167479
		457	453 - 458	566	303	550				167480			
		500	495 - 501	609	324	593				167481			
		508	503 - 509	617	328	601				167482			
		532	527 - 533	641	340	619				167483			
		560	555 - 561	669	354	639				167484			
		610	605 - 611	719	379	678				167485			
		635	630 - 636	744	392	728				167486			



Single bossed clamps can be produced in all other pipe sizes and types according to customer specifications.

For use in areas with requirements on the duration of fire resistance, the boundary conditions set out in the fire test report must be observed.