

### Single bossed clamps

heavy-duty version, with DÄMMGULAST® red, galvanised

#### Application

- Suitable combination for pipelines with dynamic loads with expansion points
- Suitable for fixings in shipbuilding and industrial areas
- Suitable for fastening of drinking water and heating pipes as well as for thermal oil pipes
- Attachment of pipelines in increased temperature ranges
- For indoor use

#### Your advantages

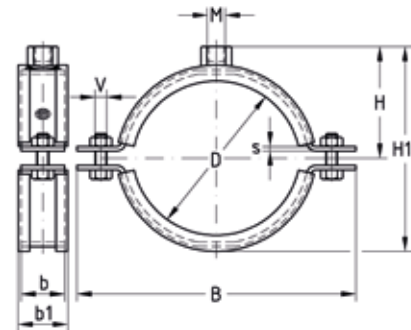
- Proven two-part clamp with increased material cross-section
- Stronger fastening latches for high load capacity
- High strength all-round welding of the connecting nut
- DÄMMGULAST® Vibration control lining red, high-temperature resistant up to +200 °C
- Average sound level improvement up to 24 dB(A)
- Approved for the attachment of sprinkler systems by VdS



#### Features



Size	Max. recommended load [N]
1/2" - 3"	5,000
102 - 133 mm	5,830
≥ 5"	6,666



Connecting thread	Size		Clamping range [mm]	VdS	Dimensions [mm]							Part no.	Sales unit	Pack unit
	[inch]	[mm]			b	s	b1	B	H	H1	V			
M8	1/2"		20 - 26	x	30	3	34	83	32	52	M8	124422	100	Pieces
	3/4"		25 - 28	x				88.3	34.5	57		124425		
	1"		30 - 35	x				91.5	36.5	61		124430		
	1 1/4"		40 - 43	x				102.5	42	72		124434		
	1 1/2"		48 - 54	x				109.9	45.5	79		124438		
	2"		57 - 64	x				125.6	54	96		124442		
M10		70	68 - 72	x				133.6	59.5	105	M10	124302	50	
	2 1/2"		72 - 80	x				144.4	62	110		124306		
		83	82 - 86	x				155	66.6	119.1		124311		
	3"		88 - 92	x				158.6	67.5	121		124315		
		102	99 - 103	x				170.4	73.6	133.2		124283		
	4"		108 - 118	x				184.2	80.8	147.6		124287		
M12		125	125 - 130	x	40	4	46	202.5	90	164		124331	25	
		133	131 - 137	x				211.5	96.5	177		124339		
	5"		138 - 144	x				217	97	178		124343		
		160	159 - 168	x				235	106	196		124347		
	6"		164 - 170	x				242	110.5	205		124359		

**!** Single bossed clamps can be produced in all other pipe sizes and types according to customer specifications. For use in areas with requirements on the duration of fire resistance, the boundary conditions set out in the fire test report must be observed.