

Single bossed clamps

heavy-duty version, without lining, galvanised

Application

- Applicable as a pipeline anchor point
- Suitable for installations without vibration control requirements
- Attachment of sprinkler lines
- Suitable for fixings in shipbuilding and industrial areas
- For indoor use

Your advantages

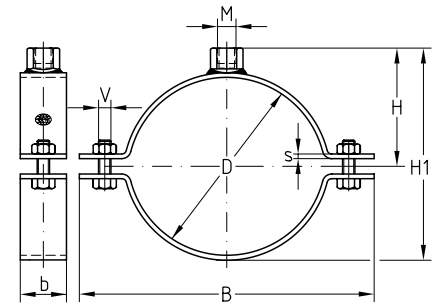
- Proven two-part clamp with increased material cross-section
- Stronger fastening latches for high load capacity
- High strength all-round welding of the connecting nut



Features



| Size | Max. recommended load [N] |
|--------------|---------------------------|
| 3/8" - 3" | 5,000 |
| 102 - 125 mm | 5,800 |
| 5" - 6" | 6,700 |
| 180 - 280 mm | 11,000 |
| 315 - 429 mm | 15,000 |
| 450 - 635 mm | 17,000 |



| Connecting thread | Size | | Clamping range [mm] | VdS | FM | Dimensions [mm] | | | | | | Part no. | Sales unit | Pack unit |
|-------------------|--------|-----------|---------------------|-----|-----|-----------------|-----|--------|----|--------|-----|----------|------------|-----------|
| | [inch] | [mm] | | | | b | s | B | H | H1 | V | | | |
| M8 | 3/4" | | 25 - 28 | x | | 30 | 3 | 74 | 28 | 45 | M8 | 125697 | 100 | Pieces |
| | 1" | | 31 - 35 | x | 83 | | | 31 | 51 | 125687 | | | | |
| | 1 1/4" | | 40 - 43 | x | 92 | | | 35 | 60 | 125691 | | 50 | | |
| | 1 1/2" | | 48 - 52 | x | 100 | | | 40 | 69 | 125689 | | | | |
| | | 57 | 53 - 57 | x | 105 | | | 43 | 74 | 125701 | | | | |
| | 2" | | 58 - 61 | x | 110 | | | 45 | 78 | 125695 | | | | |
| M10 | 3/8" | | 14 - 18 | x | | 70 | 3 | 66 | 24 | 35 | M10 | 175159 | 100 | |
| | 1/2" | | 20 - 22 | x | 71 | | | 27 | 40 | 175160 | | | | |
| | 3/4" | | 25 - 28 | x | x | | | 74 | 30 | 47 | | 175161 | | |
| | 1" | | 31 - 35 | x | x | | | 83 | 33 | 53 | | 175162 | | |
| | 1 1/4" | | 40 - 43 | x | x | | | 92 | 37 | 62 | | 175163 | 50 | |
| | 1 1/2" | | 48 - 52 | x | x | | | 100 | 42 | 71 | | 175164 | | |
| | | | 53 - 57 | x | x | | | 105 | 45 | 76 | | 175165 | | |
| | 2" | | 58 - 61 | x | x | | | 110 | 47 | 80 | | 175166 | | |
| | | 70 | 68 - 73 | x | x | | | 121 | 52 | 92 | | 124906 | | |
| | 2 1/2" | | 73 - 78 | x | x | | | 126 | 55 | 97 | | 124653 | | |
| | | 83 | 80 - 85 | x | x | | | 134 | 59 | 104 | | 124930 | | |
| | 3" | | 85 - 90 | x | x | | | 144 | 61 | 109 | | 124762 | | |
| | 102 | 98 - 104 | x | x | 159 | 67 | 120 | 124519 | | | | | | |
| 4" | | 108 - 116 | x | x | 170 | 73 | 132 | 124814 | | | | | | |



Single bossed clamps can be produced in all other pipe sizes and types according to customer specifications.

For use in areas with requirements on the duration of fire resistance, the boundary conditions set out in the fire test report must be observed.

Single bossed clamps heavy-duty version, without lining, galvanised

| Connecting thread | Size | | Clamping range [mm] | VdS | FM | Dimensions [mm] | | | | | | Part no. | Sales unit | Pack unit | | | | |
|-------------------|-----------------|------|---------------------|-----------|----|-----------------|-----|-----|-----|-----|--------|---------------|------------|-----------|-----|--------|-----|--------|
| | [inch] | [mm] | | | | b | s | B | H | H1 | V | | | | | | | |
| M12 | 3/8" | | 14 - 18 | x | | 30 | 3 | 66 | 26 | 37 | M8 | 175167 | 100 | Pieces | | | | |
| | 1/2" | | 20 - 22 | x | | | | 71 | 29 | 42 | | 175168 | | | | | | |
| | 3/4" | | 25 - 28 | x | x | | | 74 | 32 | 49 | | 175169 | | | | | | |
| | 1" | | 31 - 35 | x | | | | 83 | 35 | 55 | | 175170 | | | | | | |
| | 1 1/4" | | 40 - 43 | x | x | | | 92 | 39 | 64 | | 175171 | | | | | | |
| | 1 1/2" | | 48 - 52 | x | x | | | 100 | 44 | 73 | | 175172 | | | | | | |
| | | | 53 - 57 | x | x | | | 105 | 47 | 78 | | 175173 | | | | | | |
| | 2" | | 58 - 61 | x | x | | | 110 | 49 | 82 | | 175174 | | | | | | |
| | | | 68 - 73 | x | x | | | 121 | 54 | 94 | | 175175 | | | | | | |
| | 2 1/2" | | 73 - 78 | x | x | | | 126 | 57 | 99 | | 175176 | | | | | | |
| | | | 80 - 85 | x | x | | | 134 | 61 | 106 | | 175177 | | | | | | |
| | 3" | | 85 - 90 | x | x | | | 144 | 63 | 111 | | M10 175178 | | | | | | |
| | | | 98 - 104 | x | x | | | 159 | 69 | 122 | | 175179 | | | | | | |
| | 4" | | 108 - 116 | x | x | | | 170 | 75 | 134 | | 175180 | | | | | | |
| | | 125 | 124 - 130 | x | x | | | 184 | 82 | 149 | | 125038 | | | | | | |
| | 5" | | 133 - 140 | x | x | | | 40 | 4 | 203 | | 89 | | | 163 | 125356 | 25 | |
| | 6" | | 160 - 169 | x | x | | | | | 231 | | 103 | | | 191 | 125374 | | |
| | M12/M16/1/2" ET | | 180 | 176 - 181 | x | | | | 50 | 5 | | 271 | | | 119 | 213 | M16 | 175181 |
| | | 198 | 193 - 200 | x | | 289 | 128 | 231 | | | 175182 | | | | | | | |
| | | 212 | 208 - 214 | x | | 303 | 135 | 245 | | | 175183 | | | | | | | |
| | | 223 | 219 - 225 | x | | 314 | 141 | 256 | | | 175184 | | | | | | | |
| | | 248 | 244 - 250 | | | 339 | 153 | 281 | | | 166458 | | | | | | | |
| | | 272 | 267 - 274 | | | 363 | 165 | 305 | | | 166459 | | | | | | | |
| | | 280 | 276 - 282 | | | 371 | 169 | 313 | | | 166460 | | | | | | | |
| | | 315 | 311 - 316 | | | 409 | 188 | 350 | | | 166461 | | | | | | | |
| | | 326 | 322 - 327 | | | 420 | 193 | 361 | | | 166462 | | | | | | | |
| | | 355 | 351 - 356 | | | 449 | 208 | 390 | | | 166463 | | | | | | | |
| | | 405 | 400 - 407 | | | 499 | 233 | 440 | | | 166464 | | | | | | | |
| | | 429 | 425 - 430 | | | 523 | 245 | 464 | | | 166465 | | | | | | | |
| | | 450 | 446 - 451 | | | 60 | 6 | 547 | | | 256 | 487 | 166466 | | | | | |
| | | 457 | 453 - 458 | | | | | 554 | | | 260 | 494 | 166467 | | | | | |
| | | 500 | 495 - 501 | | | | | 597 | | | 281 | 537 | 166468 | | | | | |
| | | 508 | 503 - 509 | | | | | 605 | | | 285 | 545 | 166469 | | | | | |
| | | 532 | 527 - 533 | | | | | 629 | | | 297 | 569 | 166470 | | | | | |
| | | 560 | 555 - 561 | | | | | 657 | | | 311 | 597 | 166471 | | | | | |
| | | 610 | 605 - 611 | | | | | 702 | | | 336 | 647 | 166472 | | | | | |
| | | 635 | 630 - 636 | | | | | 732 | | | 349 | 672 | 166473 | | | | | |
| M20 | | 248 | 244 - 250 | x | | 40 | 4 | 339 | 153 | 281 | | 173531 | | | | | | |
| | | 272 | 267 - 274 | x | | | | 363 | 165 | 305 | | 173532 | | | | | | |
| | | 280 | 276 - 282 | x | | | | 371 | 169 | 313 | | 173533 | | | | | | |
| | | 315 | 311 - 316 | x | | | | 50 | 5 | 409 | | 188 | | | 350 | 173534 | | |
| | | 326 | 322 - 327 | x | | | | | | 420 | | 193 | | | 361 | 173535 | | |



Single bossed clamps can be produced in all other pipe sizes and types according to customer specifications.
For use in areas with requirements on the duration of fire resistance, the boundary conditions set out in the fire test report must be observed.

Single bossed clamps

heavy-duty version, without lining, galvanised

| Connecting thread | Size | | Clamping range [mm] | VdS | FM | Dimensions [mm] | | | | | | Part no. | Sales unit | Pack unit |
|-------------------|--------|------|---------------------|-----|----|-----------------|-----|-----|--------|-----|--------|----------|------------|-----------|
| | [inch] | [mm] | | | | b | s | B | H | H1 | V | | | |
| M12/M16/1/2" IT | | 180 | 176 - 181 | | | 40 | 4 | 271 | 138 | 232 | M16 | 167407 | 1 | Pieces |
| | | 198 | 193 - 200 | | | | | 289 | 147 | 250 | | 167408 | | |
| | | 212 | 208 - 214 | | | | | 303 | 154 | 264 | | 167409 | | |
| | | 223 | 219 - 225 | | | | | 314 | 160 | 275 | | 167410 | | |
| | | 248 | 244 - 250 | | | | | 339 | 172 | 300 | | 167411 | | |
| | | 272 | 267 - 274 | | | | | 363 | 184 | 324 | | 167412 | | |
| | | 280 | 276 - 282 | | | | | 371 | 188 | 332 | | 167413 | | |
| | | 315 | 311 - 316 | | | 50 | 5 | 409 | 207 | 369 | | 167414 | | |
| | | 326 | 322 - 327 | | | | | 420 | 212 | 380 | | 167415 | | |
| | | 355 | 351 - 356 | | | | | 449 | 227 | 409 | | 167416 | | |
| | | 405 | 400 - 407 | | | | | 499 | 252 | 459 | | 167417 | | |
| | | 429 | 425 - 430 | | | | | 523 | 264 | 483 | | 167418 | | |
| | | 450 | 446 - 451 | | | 60 | 6 | 547 | 275 | 506 | | 167419 | | |
| | | 457 | 453 - 458 | | | | | 554 | 279 | 513 | | 167420 | | |
| | | 500 | 495 - 501 | | | | | 597 | 300 | 556 | | 167421 | | |
| | | 508 | 503 - 509 | | | | | 605 | 304 | 564 | | 167422 | | |
| | | 532 | 527 - 533 | | | | | 629 | 316 | 588 | | 167423 | | |
| | | 560 | 555 - 561 | | | | | 657 | 330 | 616 | | 167424 | | |
| | | 610 | 605 - 611 | | | | | 702 | 355 | 666 | | 167425 | | |
| | | 635 | 630 - 636 | | | 732 | 368 | 691 | 167426 | | | | | |
| M12/M16/1" IT | | 180 | 176 - 181 | | | 40 | 4 | 271 | 156 | 250 | 167447 | | | |
| | | 198 | 193 - 200 | | | | | 289 | 165 | 268 | 167448 | | | |
| | | 212 | 208 - 214 | | | | | 303 | 172 | 282 | 167449 | | | |
| | | 223 | 219 - 225 | | | | | 314 | 178 | 293 | 167450 | | | |
| | | 248 | 244 - 250 | | | | | 339 | 190 | 318 | 167451 | | | |
| | | 272 | 267 - 274 | | | | | 363 | 202 | 342 | 167452 | | | |
| | | 280 | 276 - 282 | | | | | 371 | 206 | 350 | 167453 | | | |
| | | 315 | 311 - 316 | | | 50 | 5 | 409 | 225 | 387 | 167454 | | | |
| | | 326 | 322 - 327 | | | | | 420 | 230 | 398 | 167455 | | | |
| | | 355 | 351 - 356 | | | | | 449 | 245 | 427 | 167456 | | | |
| | | 405 | 400 - 407 | | | | | 499 | 270 | 477 | 167457 | | | |
| | | 429 | 425 - 430 | | | | | 523 | 282 | 501 | 167458 | | | |
| | | 450 | 446 - 451 | | | 60 | 6 | 547 | 293 | 524 | 167459 | | | |
| | | 457 | 453 - 458 | | | | | 554 | 297 | 531 | 167460 | | | |
| | | 500 | 495 - 501 | | | | | 597 | 318 | 574 | 167461 | | | |
| | | 508 | 503 - 509 | | | | | 605 | 322 | 582 | 167462 | | | |
| | | 532 | 527 - 533 | | | | | 629 | 334 | 606 | 167463 | | | |
| | | 560 | 555 - 561 | | | | | 657 | 348 | 634 | 167464 | | | |
| | | 610 | 605 - 611 | | | | | 702 | 373 | 684 | 167465 | | | |
| | | 635 | 630 - 636 | | | 732 | 386 | 709 | 167466 | | | | | |



Single bossed clamps can be produced in all other pipe sizes and types according to customer specifications.

For use in areas with requirements on the duration of fire resistance, the boundary conditions set out in the fire test report must be observed.