

### Single bossed clamps

with DÄMMGULAST® yellow, heavy-duty version, stainless steel

#### Application

- Suitable for attachments in ship-building and industrial areas, as well as in air-conditioning, ventilation and sanitary areas
- Application in areas with high demands on sound insulation
- For indoor and outdoor use

#### Your advantages

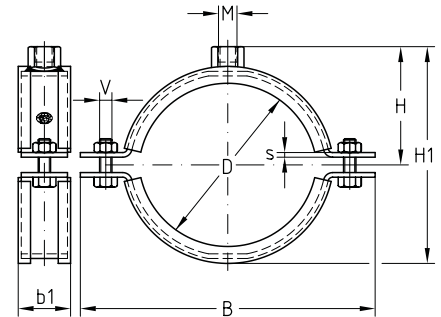
- Stronger fastening latches for high load capacity
- Enhanced braking resistance due to increased material cross-section area
- Vibration control lining DÄMMGULAST® with yellow identification stripe: average vibration improvement of up to 22 dB(A)



#### Features



Size	Max. recommended load [N]
1½" - 2"	4,166
2½" - 4"	5,000
133 - 315 mm	6,666
≥ 323 mm	8,333



Connecting thread M	Size		Clamping range [mm]	Dimensions [mm]							Material V2A Part no.	Material V4A Part no.	Sales unit	Pack unit
	[inch]	[mm]		b	s	b1	B	H	H1	V				
M12	1½"		45 - 52	30	3	34	111	48	81	M8	121907	121323	50	Pieces
	2"		56 - 64				123	54	93		122091	121339		
	2½"		72 - 80				138	62	109		122103	121343		
	3"		88 - 92				157	69	122		122258	121371		
		110	110 - 114				178	79	143		121953	121327		
			112 - 116				183	81	147		122345	121387		
		133	133 - 137	40	4	46	203	92	168	M10	122010	121331	25	
			137 - 145				210	95	175		122425	121391		
			159 - 165				230	105	195		122044	121335		
			164 - 170				235	108	200		122469	121394		
		200	193 - 203				270	125	235		122119	121346		
			208 - 214				282	131	247		122147	121350		
	212	208 - 214	50	5	56	289	135	254	M12	122159	121354	10		
		217 - 224				289	135	254		122159	121354			
		244 - 254				320	150	285		122210	121358			
		267 - 273				337	159	302		122226	121362			
		278 - 282				350	165	315		122246	121367			
		313 - 318				385	183	350		122290	121375			
	315	313 - 318	50	5	56	415	188	360	M12	122298	121379	5		
		320 - 326				447	204	392		122321	121383			
		353 - 360												

⚠ Single bossed clamps can be produced in all other pipe sizes and types according to customer specifications. For use in areas with requirements on the duration of fire resistance, the boundary conditions set out in the fire test report must be observed.