

Single bossed clamps

heavy-duty version, with DÄMMGULAST® yellow, hot-dip galvanised

Application

- Suitable combination for pipelines with dynamic loads with expansion points
- Suitable for fixings in industrial areas
- Suitable for outdoor use

Your advantages

- High strength all-round welding of the connecting nut

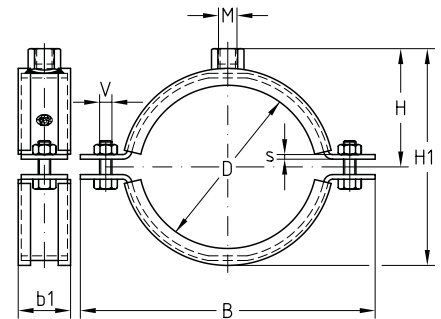
- Proven two-part clamp with increased material cross-section
- Stronger fastening latches for high load capacity
- Positive-fit vibration control lining DÄMMGULAST® with clip-over edges that prevent the lining from slipping out of the clamp
- DÄMMGULAST® vibration control lining with yellow identification stripe: average sound level improvement up to 22 dB(A)
- Excellent corrosion resistance



Features



Size	Max. recommended load [N]
3/8" - 83 mm	4,200
3" - 123 mm	5,000
125 mm - 6"	6,700
180 - 315 mm	7,500
12" - 457 mm	11,000
20"	15,000



Connecting thread	Size		Clamping range [mm]	Dimensions [mm]						Part no.	Sales unit	Pack unit
	[inch]	[mm]		s	b1	B	H	H1	V			
M10	3/8"		14 - 19	3	30	76	30	46	M8	170759	25	Pieces
			20 - 26			85	34	54		170760		
	3/4"	25 - 28	90			36	58	170761				
	1"	30 - 35	94			39	63	170762				
	38	36 - 39	101			42	70	170763				
		40 - 43	106			44	74	170764				
		48 - 54	113			47	81	170765				
		57 - 64	129			56	98	170766				
		68 - 72	137			59	105	170767				
		72 - 80	148			62	110	170768				
M12	83		82 - 86	4	40	157	64	117	M10	170769	10	
			88 - 92			163	67	121		170770		
	99 - 103	174	75			135	170771					
	108 - 118	188	82			149	170772					
	123	120 - 124	189			86	157	170773				
	125	125 - 130	208			90	164	170774				
	133	133 - 141	218			96	177	170775				
	5"	138 - 144	223			97	178	170776				
		148 - 153	233			102	188	170777				
		159 - 168	241			106	196	170778				
164 - 170		248	110	205	170779							
180		178 - 182			261	116	216		170780			


⚠ Single bossed clamps can be produced in all other pipe sizes and types according to customer specifications.


ℹ Please refer to chapter „Pipe clamps“ for pipe clamps DIN 3567.

Single bossed clamps

heavy-duty version, with DÄMMGULAST® yellow, hot-dip galvanised

Connecting thread M	Size		Clamping range [mm]	Dimensions [mm]						Part no.	Sales unit	Pack unit			
	[inch]	[mm]		s	b1	B	H	H1	V						
M12	8"	190	186 - 192	4	40	272	121	226	M10	170781	10	Pieces			
		200	193 - 203			285	126	236		170782					
		212	208 - 214			296	131	246		170783					
		225	222 - 228			308	137	258		170784					
		250	244 - 254				138	261		170785					
	10"	280	278 - 282			5	50	333		150			284	M12	170786
		303	299 - 306					361		164			312		170787
		315	313 - 318					366		166			316		170788
		330	326 - 332					386		177			339		170789
		350	346 - 352					402		183			351		170790
		358	354 - 360	423	188			361	170791						
		370	366 - 372	430	192			368	170792						
		400	396 - 402	450	202			388	170793						
		406	402 - 408	455	204			393	170794						
		457	453 - 459	470	211			407	170795						
	M16	5"	125	125 - 130	4	40	208	94	168	M10	170800	10			
			133	133 - 141			218	100	181		170801				
			152	148 - 153			223	101	182		170802				
			160	159 - 168			233	106	192		170803				
			180	178 - 182			241	110	200		170804				
6"		190	186 - 192	5			50	248	114		209			M12	170805
		299	193 - 203					261	120		220				170806
		212	208 - 214					272	125		230				170807
		225	222 - 228					285	130		240				170808
		250	244 - 254					296	135		250				170809
		280	278 - 282		308	141		262	170810						
		303	299 - 306		308	142		265	170811						
		315	313 - 318			154		288	170812						
		8"	330		326 - 332	5		50	361	168	316	M12	170813		
			350		346 - 352				366	170	320		170814		
358			354 - 360	386	181		343		170815						
370			366 - 372	402	187		355		170816						
400			396 - 402	423	192		365		170817						
406			402 - 408	430	196		372		170818						
457			453 - 459	450	206		392		170819						
20"	503 - 510		5	50	455		208		397	M12	170820				
	503 - 510				470		215		411		170821				
	503 - 510				500		231		442		170822				
	503 - 510	506			233	447	170823								
	503 - 510	558			259	499	170824								
	609	284	549	170825											

 Single bossed clamps can be produced in all other pipe sizes and types according to customer specifications.

 Please refer to chapter „Pipe clamps“ for pipe clamps DIN 3567.