

### Single bossed clamps

heavy-duty version, without lining, hot-dip galvanised

#### Application

- Suitable for fixings in industrial areas
- Suitable for outdoor use

#### Your advantages

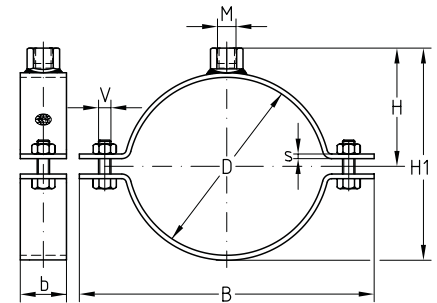
- High strength all-round welding of the connecting nut

- Proven two-part clamp with increased material cross-section
- Stronger fastening latches for high load capacity
- Excellent corrosion resistance



#### Features

Size	Max. recommended load [N]
3/8" - 83 mm	5,000
3" - 125 mm	5,800
5" - 6"	6,700
180 - 315 mm	10,000
12" - 457 mm	15,000
20"	17,000



Connecting thread	Size		Clamping range [mm]	Dimensions [mm]						Part no.	Sales unit	Pack unit
	[inch]	[mm]		b	s	B	H	H1	V			
M10	3/8"		14 - 18	30	3	67	26	38	M8	170699	25	Pieces
			20 - 22			72	28	42		170700		
			25 - 28			76	30	46		170701		
	1"		31 - 35			85	34	54		170702		
			36 - 39			90	36	58		170703		
			40 - 43			94	39	63		170704		
	1 1/2"		48 - 52			103	43	72		170705		
			53 - 57			109	46	77		170706		
			58 - 61			114	48	81		170707		
	2"		68 - 73			125	54	93		170708		
			73 - 78			129	56	98		170709		
			80 - 85			137	60	105		170710		
M12	3"		85 - 90	40	4	148	62	110	M10	170711	10	
			98 - 104			163	69	123		170712		
			108 - 116			174	75	135		170713		
	4"		124 - 130			188	83	149		170714		
			133 - 140			208	90	164		170715		
			149 - 155			224	96	177		170716		
	5"		160 - 169			237	104	192		170717		
			175 - 180			248	110	205		170718		
			188 - 194			261	116	216		170719		
			198 - 204			272	121	226		170720		

⚠ Single bossed clamps can be produced in all other pipe sizes and types according to customer specifications.

### Single bossed clamps

heavy-duty version, without lining, hot-dip galvanised

Connecting thread M	Size		Clamping range [mm]	Dimensions [mm]						Part no.	Sales unit	Pack unit	
	[inch]	[mm]		b	s	B	H	H1	V				
M12	8"	212	208 - 214	40	4	285	126	236	M10	170721	10	Pieces	
		225	218 - 224			289	129	243		170722			
	250	221 - 227	295			132	249	170723					
	10"	269 - 275	320			145	274	170724					
		276 - 282	344			156	297	170725					
		298 - 304	351			160	304	170726					
		311 - 318	373			171	326	170727					
	12"	320 - 326	386			177	339	170728					
		326 - 332	412	183	350	M12	170729						
		351 - 357	428	185	355	170730							
		366 - 372	443	198	381	170731							
		396 - 402	458	206	396	170732							
		402 - 408	488	221	426	170733							
		453 - 459	494	224	432	170734							
		503 - 510	546	249	483	170735							
	M16	5"	133 - 140	149 - 155	40	4	208	94	168	M10	170737	10	
			154	160 - 169			224	100	181		170738		
		6"	175 - 180	237			108	196	170739				
			188 - 194	248			114	209	170740				
			198 - 204	261			120	220	170741				
208 - 214			272	125			230	170742					
8"		218 - 224	285	130			240	170743					
		221 - 227	289	133			247	170744					
		246 - 252	295	136	253	170745							
		269 - 275	320	149	278	170746							
		276 - 282	344	160	301	170747							
		298 - 304	351	164	308	170748							
		311 - 318	373	175	330	170749							
		320 - 326	386	181	343	170750							
12"		326 - 332	412	187	354	M12	170751						
		351 - 357	428	189	359	170752							
		366 - 372	443	202	385	170753							
		396 - 402	458	210	400	170754							
		402 - 408	488	225	430	170755							
		453 - 459	494	228	436	170756							
	503 - 510	546	253	487	170757								
	597	597	279	538	170758								



Single bossed clamps can be produced in all other pipe sizes and types according to customer specifications.