

Suspension clamps

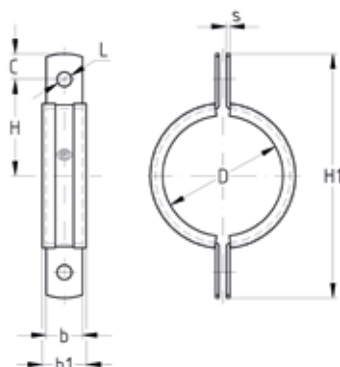
for spiral-seam pipes, two-piece, with DÄMMGULAST® yellow, galvanised

Application

- Attachment of air ducts

Your advantages

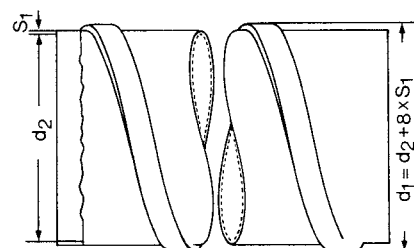
- Proven two-piece design for attachment using the locking lugs
- Manufactured to suit spiral-seam pipe dimensions
- Variety of attachment possibilities using hexagonal screws and nuts, as well as hanger sockets or eye bolts
- Attachment using threaded rods through the holes in the lugs



Features



Nominal size [mm]	Max. recommended load [N]
71 - 160	2,133
180 - 250	4,533
280 - 560	7,000
630 - 800	8,666
900 - 1,250	9,066



Nominal size d2 [mm]	Dimensions [mm]							Part no.	Sales unit	Pack unit
	b	s	b1	C	H	H1	L			
71	20	1	23	14	57	141	8.5	120095	1	Pieces
80					61	150		120111		
90					66	160		120127		
100					72	171		119888		
112					78	183		119904		
125					84	196		119916		
140					92	211		119924		
150					97	221		119928		
160					102	231		119936		
180					25	1.5		28		
200	122	272	119963							
224	134	296	119971							
250	147	322	119980							
280	2.5	15	162	354			119983			
300			172	374			119987			
315			181	391			119996			
355			201	431			120012			
400			223	476			120020			
450			248	526			120032			
500			273	576	120048					
560			303	636	120063					
630			3	34	340	709	120079			
710					379	787	120091			
800	425	880			120107					
900	475	980			120123					
1,000	526	1082			119884					
1,120	586	1201			119900					
1,250	651	1332			119911					



Suspension clamps can be produced in all other pipe sizes and types according to customer specifications.