

Duct clamps

with DÄMMGULAST® orange, galvanised

Application

- For attachment of spiral-seam pipes

Your advantages

- Manufactured to suit air duct dimensions
- Practical latching fastener: simple and secure insertion and fastening of the pipe due to quick fastener for nominal pipe size of up to 450 mm, M8 hexagon screws for pipe sizes from 450 mm and upwards
- Easy installation due to the wide opening angle of the clamp
- Added rigidity due to the grooved design of the duct clamp
- Easy clicking-in of the fastening bolt with the tip of a finger

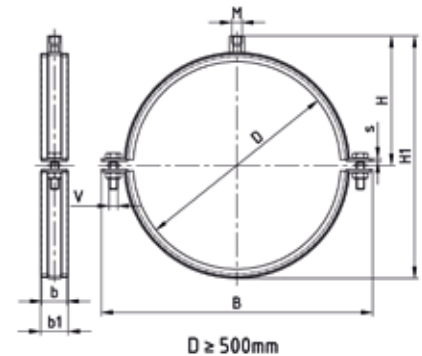
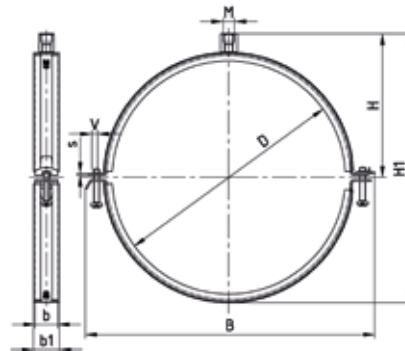
- High safety due to the positive-fit edge hook-in opening
- No inadvertent opening once it has clicked in
- The easy click-in fastener allows opening and closing of the pipe clamp with only one hand
- DÄMMGULAST® vibration control lining with green identification stripe: average sound level improvement up to 18 dB(A)
- Manufactured to suite connecting thread M8/M10
- This product is awarded with the „Gütezeichen Rohrbefestigung“ (quality mark of pipe support) and is submitted to controls according to RAL-GZ 655-B



Features



Nominal size DN	Max. recommended load [N]
80 - 200	700
224 - 450	1,000
500 - 800	1,200



Nominal size DN [mm]	Connecting thread	RAL	Dimensions [mm]							Part no.	Sales unit	Pack unit			
			B	b1	H	H1	b	s	V						
80	M8/M10	x	124	23	65	114	20	1.5	M5	143247	100	Pieces			
90		x	137		70	124									
100		x	149		76	135									
112		x	157		82	147									
125		x	170		88	160									
140		x	185		96	175									
150		x	195		101	185									
160		x	205		106	195									
180		x	225		116	215									
200		x	245		126	235									
224		x	286		138	259				25			M6	143256	50
250		x	312		151	285									
280		x	342		166	315									
300		x	363		177	336									
315		x	378		184	351									
355		x	418		204	391									
400		x	462		227	436									
450		x	513		253	487									
500		x	567		278	538									
560	x	627	308	598											
600	x	667	328	638											
630	x	697	343	668											
710	x	777	383	748											
800	x	867	428	838											
132			89	163	1.5	M6	152856	1							
157			102	188											
192			119	223											
232			139	263											
256			150	285											
							2.5		M8	143263					
					1.5	M6	152857	100							

⚠ Duct clamps can be produced in all other pipe sizes and types according to customer specifications.