

### STATO® Clamps

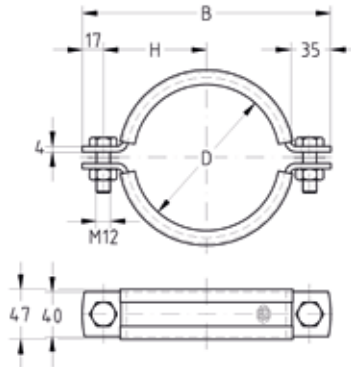
two-piece, with DÄMMGULAST® yellow, galvanised

#### Application

- Attachment of pipelines with higher load requirements

#### Your advantages

- High-duty, two-part clamp
- The 2 locking screws allow adjustment to accommodate a greater variation in pipe diameter
- The matching clamp for STATO® Bracket
- Supplied with connecting screws, nuts and captive washers



#### Features

Max. recommended tensile load Fz [N]

4,660

Pipe outer Ø D		Locking bolts	Dimensions [mm]		Part no.	Sales unit	Pack unit	
[inch]	[mm]		B	H				
2"	60.3	M12	148	57	129214	12	Pieces	
	70		158	62	129263			
2½"	76.1		164	65	129215			
	82.5		171	68	129267			
3"	88.9		177	71	129235			
	101.6		190	78	129187			
4"	108 - 110		198	82	129191	6		
	114.3		202	84	129243			
	125 - 127		213	90	129195			
	133		221	94	129199			
	5"		139.7	228	97			129255
			152.4	240	103			129202
6"	159		247	107	129205			
	165		253	110	129260			
	168.3	256	111	129211				
	177.8	266	116	129212				
8"	212	300	133	129221				
	219.1	307	137	129224				
	244.5	333	149	129227				
	267	355	161	129231				
	273	361	164	129233				



If required, STATO® clamps can be produced specifically in accordance with the external diameter of the pipelines or foam glass acoustic cladding, enabling axial movement of the pipeline in the clamp (guide or sliding clamp) or acoustic cladding to be stored with just a low contact pressure.

In combination with STATO® Brackets, a maximum of 2 STATO® Clamps with DÄMMGULAST® linings may be mounted per set of brackets. For a pipe outer diameter of 315 mm upwards, the STATO® Bracket heavy-duty version must be used.