

STATO® Clamps

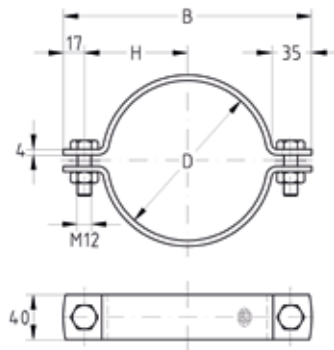
two piece, without lining, galvanised

Application

- Perfect for use as an anchor point clamp in version without vibration control lining
- In combination with the STATO® Bracket useable as the ideal pipeline anchor point
- Attachment of pipelines with higher load requirements

Your advantages

- High-duty, two-part clamp
- The 2 locking screws allow adjustment to accommodate a greater variation in pipe diameter
- The matching clamp for STATO® Bracket
- Supplied with connecting screws, nuts and captive washers



Features

Max. recommended tensile load F_z [N]	10,000
Max. recommended load axial F_{ax} [N]	5,500

Pipe outer $\varnothing D$		Locking bolts	Dimensions [mm]		Part no.	Sales unit	Pack unit
[inch]	[mm]		B	H			
2"	60.3	M12	140	53	168050	12	Pieces
	70		148	57	168051		
2½"	76.1		154	60	168052		
	82.5		161	64	168053		
3"	88.9		168	67	168054		
	101.6		182	74	168055		
4"	108 - 110		188	78	168056	6	
	114.3		195	80	168057		
	125 - 127		206	86	168058		
	133		213	90	168059		
5"	139.7		220	93	168060		
	152.4		232	99	168061		
6"	159		239	103	168062		
	165		246	106	168063		
	168.3		248	107	168064		
	177.8		258	112	168065		
8"	212	293	130	168066			
	219.1	300	133	168067			
	244.5	326	146	168068			
	267	348	157	168069			
	273	354	160	168070			

! If required, STATO® clamps can be produced specifically in accordance with the external diameter of the pipelines or foam glass acoustic cladding, enabling axial movement of the pipeline in the clamp (guide or sliding clamp) or acoustic cladding to be stored with just a low contact pressure.

In combination with STATO® Brackets, a maximum of 3 STATO® Clamps without linings may be mounted per set of brackets. For a pipe outer diameter of 315 mm upwards, the STATO® Bracket heavy-duty version must be used.

i Max. recommended load axial [N] in combination with wooden blocks please refer to page 3/51.