

U-bolts

similar to DIN 3570, form A, galvanised

Application

- For simple pipe attachment in ship-building and industrial construction
- Complies with the VdS (German Association of Property Insurers) Guideline 2092 for sprinkler systems

Your advantages

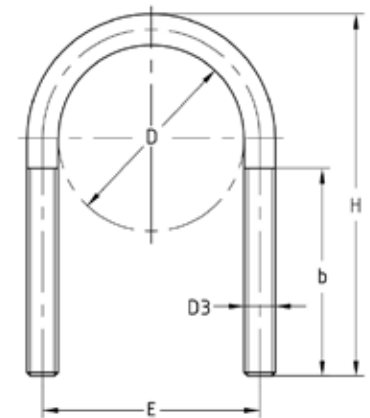
- Design similar to DIN 3570
- Standard material S235JR (St37) acc. to DIN EN 10025
- Electrolytically galvanised
- Supplied with 4 nuts acc. to DIN 934. In the M8 to M12 versions, also with 4 washers



Versions M16 to M20 with nuts



Versions M8 to M12 with nuts and washers



Pipe outer Ø D [mm]	Nominal size DN	Dimensions [mm]				Part no.	Sales unit	Pack unit
		b	D3	E	H			
22	15	25	M8	30	52	113317	100	Pieces
27	20	40		35	67	113320		
34	25			42	74	113323		
43	32			51	83	113326		
49	40			57	89	113329		
61	50	45	M10	71	104	124881	50	
77	65			87	120	124884		
89	80			100	132	124887		
108	100	55	M12	121	162	124920	25	
115				127	168	124929		
133	125			146	183	124932		
140				152	191	124935		
159	150			172	208	124938		
169			182	218	124941	5		
220	200		M16	233	278			125109
273	250	70	M20	295	334			113174
324	300			352	385	113180		

! U-bolts with M8 to M12 threads are supplied with 4 washers and 4 nuts acc. to DIN 934 in electrolytically galvanised finish. For M16 threads and bigger, they are supplied with 4 nuts but without washers. Other sizes can be supplied upon request.