

Welded pipe holders

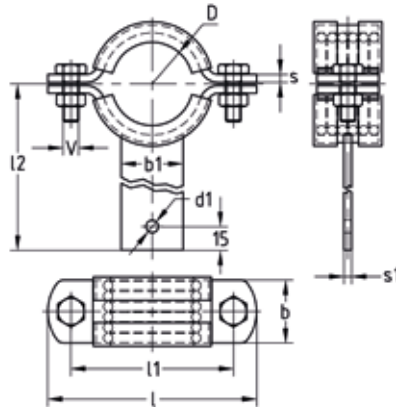
with DÄMMGULAST® yellow, material S235 JR

Application


- Standard version primed for direct welding onto the ship structure

Your advantages

- Stable design with high load capacity
- Average vibration improvement of up to 22 dB(A) with DÄMMGULAST® yellow vibration control lining
- High-quality two-component primer as specified by the classification companies
- Also available in additional surface treatments on request



Nominal size DN	Dimensions [mm]								Part no.	Sales unit	Pack unit
	b	s	b1	s1	D	L	L1	V			
16	20	3	30	5	20	82	61	M8	122338	1	Pieces
18					22	84	63		122347		
20					25	88	67		122352		
25					28	91	70		122364		
					30	93	72		122368		
32	30	4	40	5	35	107	82	M10	122376		
					38	116	86		122388		
					42.4	120	90		122400		
40					44.5	123	93		122404		
					48.3	127	97		122408		
50	40	5	40	5	53	135	105	M10	122412		
					57	139	109		122416		
					60.3	149	113		122420		
70			50		73	155	125		122424		
					76.1	158	128		122428		
80		6	60	8	88.9	183	149	M12	122432		
100					102	196	162		122310		
					20	202	168		122314		
					114.3	208	174		122318		
125	50	8	80	8	133	250	207	M16	122322		
					139.7	257	215		122326		
150					159	280	234		122330		
					168.3	290	243		122334		
200	60	10	100	10	219.1	368	310	M20	122342		
250					267	415	358		122356		
					273	420	364		122360		
					323.9	470	415		122372		
300					355.6	502	447		122380		
350					368	514	459		122384		
400					406.4	553	497		122392		
	419	565	510	122396							

 We manufacture welded pipe holders on request, also in other material/surface variants. These products are manufactured to order. Minimum quantities and delivery time on request.