

### Welded pipe holders

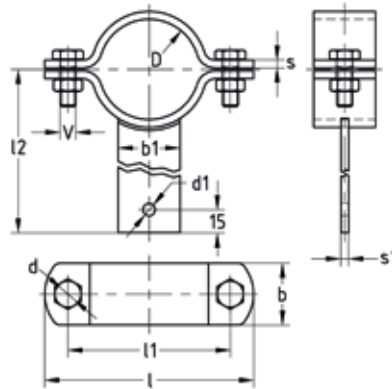
without lining, material S235 JR

#### Application


- For pipe attachments without vibration control requirements
- Standard version primed for direct welding onto the ship structure

#### Your advantages

- Stable design with high load capacity
- High-quality two-component primer as specified by the classification companies
- Available in other materials and surface finishes on request



Nominal size DN	Dimensions [mm]								Part no.	Sales unit	Pack unit	
	b	s	b1	s1	D	L	L1	V				
16	20	3	30	5	20	82	61	M8	122464	1	Pieces	
18					22	84	63		122472			
20					25	88	67		122477			
25					28	91	70		122489			
32	30	4	40	5	30	93	72	M10	122493			
40					35	107	77		122501			
					38	116	86		122513			
					42.4	120	90		122525			
50	40	5	50	5	44.5	123	93	M12	122529			
					48.3	127	97		122533			
					53	135	105		122537			
					57	139	109		122541			
70	50	6	60	8	60.3	149	119	M16	122545			
					73	155	125		122549			
					76	158	128		122553			
80	50	8	80	8	88.9	183	149	M20	122557			
100					102	196	162		122436			
125					114.3	208	174		122444			
					133	250	207		122448			
150	60	10	100	10	139.7	257	214	M20	122452			
					159	280	237		122456			
					168.3	290	247		122460			
					200	219.1	368		312			122468
250	60	10	100	10	267	415	359	M20	122481			
					273	420	354		122485			
					300	323.9	470		414			122497
					350	355.6	502		446			122505
368	514	458	122509									
400	406.4	552	446	122517								
	419	565	509	122521								

 We manufacture welded pipe holders on request, also in other material/surface variants. These products are manufactured to order. Minimum quantities and delivery time on request.