

MPA-Installation channel 29/15

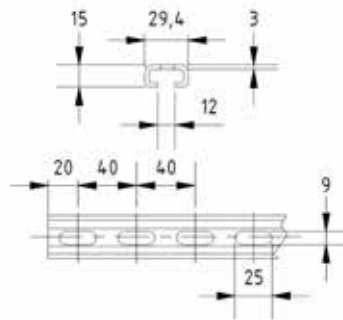
aluminium alloy, seawater proof

Application

- Fast and efficient attachment of piping and pipe routes on vessels
- Flat support channel for the attachment of systems in areas with low overall height
- Ideal for weight-critical applications due to low weight (0.5 kg/m)

Your advantages

- Seawater proof aluminium alloy
- Flat and space saving design
- High bending stiffness due to the cross-section design
- Flexible attachment in the ceiling area, simple alignment and readjustment of systems
- Simple assembly of support channel on bulb flat steel due to gridded hole template



Profile	Length [mm]	Part no.	Sales unit	Pack unit
29/15/3.0	6,000	155200	1	Pieces