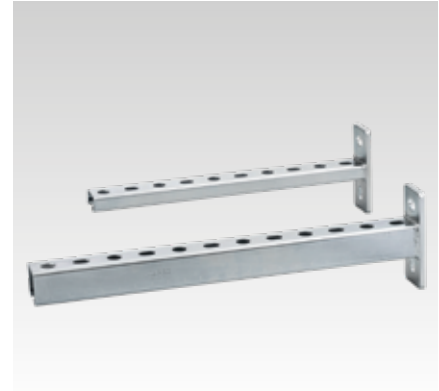
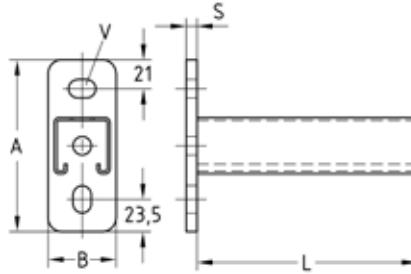


MPR-Wall hanger brackets

hot-dip galvanised

Application

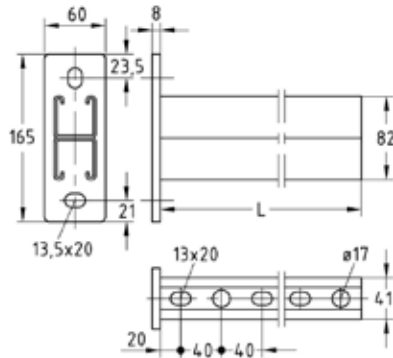
- Ideal as cantilever support structure of multisection pipeways
- Applicable as cantilever bracket for air ducts and cable trays
- Applicable in combination with saddle support and channel support brackets as a cross-beam for pipe attachments in shafts and ducts
- Solid wall bracket for valves and equipment
- For indoor and outdoor use



Profile 41/21/2.0, 41/41/2.0

Your advantages

- The strong base plate ensures a high load carrying capacity
- Elongated- and cross-hole for flexible attachment to the building structure
- Variety of lengths covers all construction requirements
- Clean-cut appearance by the use of MPR-protection caps



Profile 41/82/2.5

Features



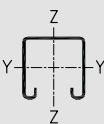
Profile	Length L [mm]	Dimensions [mm]				Part no.	Sales unit	Pack unit
		A	B	s	V			
41/21/2.0	160	125	50	6	13.5 x 20	154211	1	Pieces
	240					154212		
	320					154213		
	400					154214		
41/41/2.0	160	125	50	8	13.5 x 20	154215	1	Pieces
	240					154216		
	320					154217		
	400					154218		
	480					154219		
	560					154220		
	640					154221		
	720					154222		
	800					154223		
	1,040					154224		
41/82/2.5 H	560	165	60	8	13.5 x 20	179174	1	Pieces
	800					179175		
	1,040					179176		



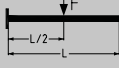
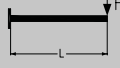
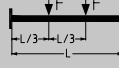
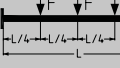
MPR-Wall hanger brackets

hot-dip galvanised

Technical data of brackets:

Features					
Profile	Dimensions H x W x D [mm]	Base plates		MPR-Support channels	
		Material	Admissible steel stress $\sigma_{adm.}$ [N/mm ²]	Material	Admissible steel stress $\sigma_{adm.}$ [N/mm ²]
41/21/2.0	125 x 50 x 6	S235	162	S235	162
41/41/2.0	125 x 50 x 8				
41/82/2.5 H	165 x 60 x 8	S355MC	231		

Load bearing capacities of brackets for bending around the y-axis:

Profile	Base plate $M_{max.}$ [Nmm]	Length L [mm]	Max. recommended load [N]			
						
41/21/2.0	112,154	160	1,400	700	700	467
		240	931	466	466	311
		320	696	348	348	232
		400	555	231	278	185
41/41/2.0	275,080	160	3,435	1,717	1,717	1,145
		240	2,287	1,144	1,144	762
		320	1,713	856	856	571
		400	1,367	684	684	456
		480	1,136	568	568	379
		560	971	485	485	324
		640	847	423	423	282
		720	749	375	375	250
		800	671	336	336	224
		1,040	508	185	254	169
41/82/2.5 H	738,719	560	2,636	1,318	1,318	879
		800	1,825	912	912	608
		1,040	1,383	691	691	461



The determined loads apply for static loads. Calculation based on Eurocode (EC3).

The safety coefficient $\gamma = 1.54$ takes into account the partial and combination coefficients as well as the safety factor of the material.

For the given values, the permissible steel stress and the maximum permissible deflection $L/150$ are not exceeded, taking the deadweight into consideration.

The load-carrying values refer to the console support. Fastening elements such as plugs and screws, must be chosen in accordance with the loads.

