

MPR-Cross channel connectors

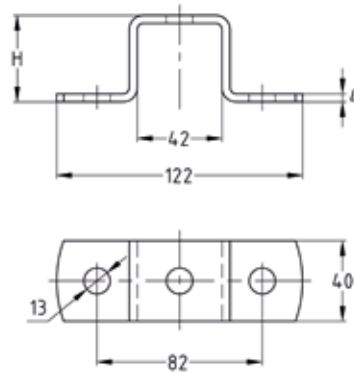
galvanised

Application

- For cross-connections in pre-wall mounted installations and shelves made from MPR-Support channels

Your advantages

- Easy-to-install connection element for setting up structures with correctly designed static loads using MPR-Support channels
- Greater flexibility when setting up structures made from channels
- For rotation-resistant attachment to building structure



Features



For profiles	Dimensions H [mm]	Part no.	Sales unit	Pack unit
41/21	23	151093	25	Pieces
41/41, 41/42	43	151994		
41/62	64	151094		
41/82	84	151995		
41/124	126	151996		