

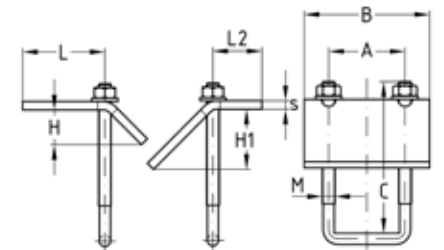
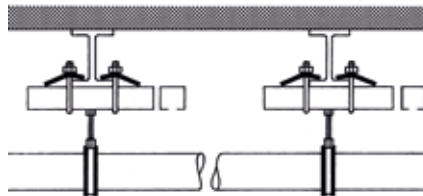
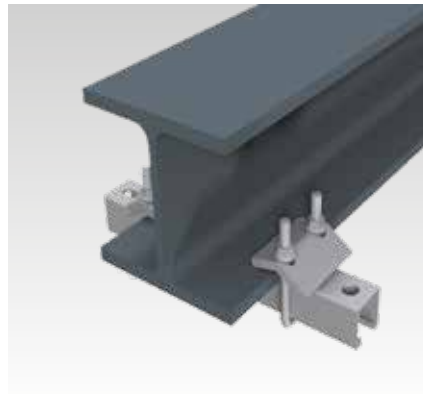
MPR-Girder cleats galvanised

Application

- Attachment of MPR-Support channels to steel girders without drilling or welding
- For use in dry interiors

Your advantages

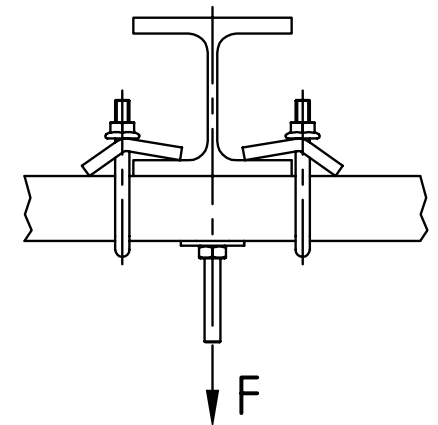
- Ideal solution for attachment of MPR-Support channels to steel girders
- Allows subsequent adjustment of the channels along and across the supporting beam
- Suitable for flange thicknesses of common support profiles
- Easy to install, pre-assembled kit
- Proper attachment of suspended loads on girders
- Girder cleats M8 or M10 VdS approved (please observe the profile size)



Features



For profiles	Thread U-brackets	Max. permitted loading/pair with hammer head fasteners [N]			
		M8	M10	M12	M16
41/21/2.0, 41/41/2.0, 41/42/2.0	M8	4,500	4,500	4,500	4,500
			5,000	5,000	5,000
41/21/2.0, 41/41/2.0, 41/42/2.0	M10	4,500	4,500	4,500	4,500
			5,000	5,000	5,000
41/41/2.5			4,500	4,500	4,500
41/62/2.5			4,500	4,500	4,500
41/82/2.0			5,000	5,000	5,000
41/124/2.5			5,000	5,000	5,000



Proof of usability

MPR-Girder cleats	Profiles	For threaded connection with hammer head fasteners, quick fasteners type S+
M8	41/2.0	M8, M10, M12
M10	41/2.0, 41/2.5	(M8), M10, M12, M16

For profiles	Max. clamping thickness [mm]	Thread	Spanner width [mm]	Dimensions [mm]								Part no.	Sales unit	Pack unit
				A	B	C	H	H1	L	L2	s			
41/21, 41/41, 41/42	22	M8	13	48	70	90	17	24.5	38.2	27.2	6	151992	20	Pieces
		M10	15	50	80	18.5	39.7	30.7	8	151095				
41/62, 41/82						130						151096	15	
41/124						170						151993		