

MPR-Girder cleats

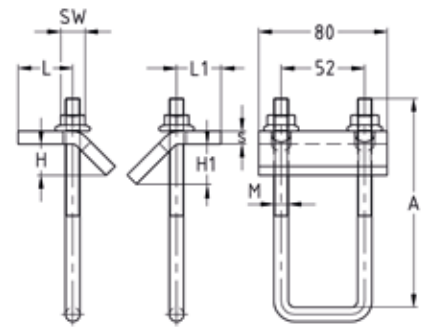
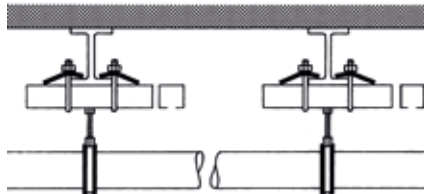
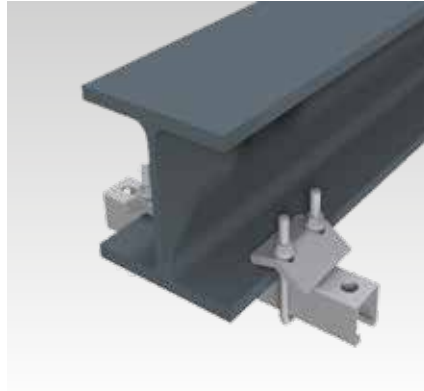
stainless steel

Application

- Attachment of MPR-Support channels to steel girders without drilling or welding
- For indoor and outdoor use

Your advantages

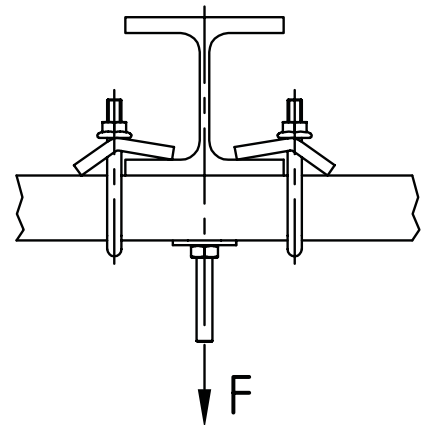
- Ideal solution for attachment of MPR-Support channels to steel girders
- Allows subsequent adjustment of the channels along and across the supporting beam
- Suitable for flange thicknesses of common support profiles
- Easy to install, pre-assembled kit
- Proper attachment of suspended loads on girders



Features



For profiles	Thread U-brackets	Max. permitted loading/pair with hammer head fasteners [N]		
		M8	M10	M12
41/21/2.0	M10	7,000	7,000	7,000
41/41/2.0				
41/62/2.5	M10	12,000	12,000	12,000
41/82/2.5		7,000	7,000	7,000



For profiles	Max. clamping thickness [mm]	Thread	Spanner width [mm]	Material	Dimensions [mm]						Part no.	Sales unit	Pack unit
					A	H	H1	L	L1	s			
41/21, 41/41	22	M10	15	V4A	90	18.5	24.5	34	30	8	154445	10	Pieces
41/62, 41/82					130						154446		