

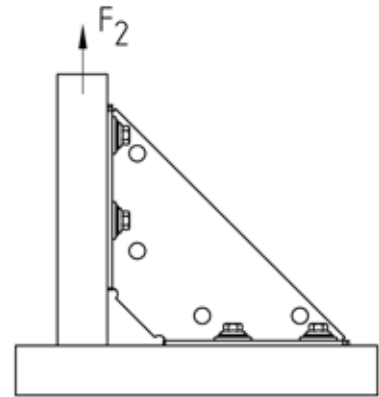
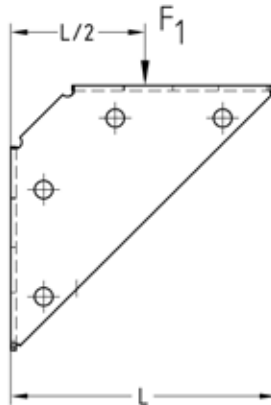
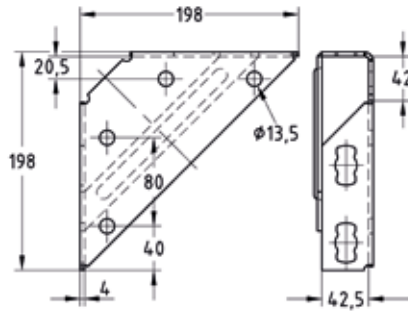
### MPR-Construction bracket type S+ galvanised

#### Application

- Ideal connecting element for the construction of cross-beams, frames and shelving systems when used with MPR-Support channels
- For indoor use

#### Your advantages

- A wide variety of installation options in MPR-Support channels and with the connection lock type S+
- Ensures stable corner joints
- Design with strut is fire-tested for fixings in accordance with the requirements of the MLAR (German Pipe Systems Guideline)



#### Features



Design	Permissible load F <sub>1</sub> [N]	Admissible load F <sub>2</sub> (material thickness of support channel 2.0 mm) [N]	Admissible load F <sub>2</sub> (material thickness of support channel 2.5 mm) [N]
Construction bracket with strut	3,500	4,000	5,000

Size	Design	Part no.	Sales unit	Pack unit
198 x 198 mm	Construction bracket with strut	165864	10	Pieces