

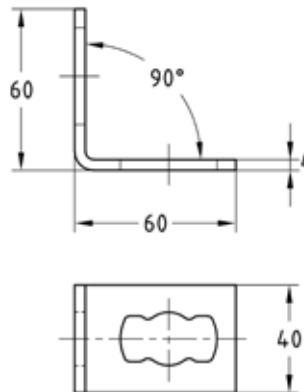
MPR-Mounting angles 90° type S+ galvanised

Application

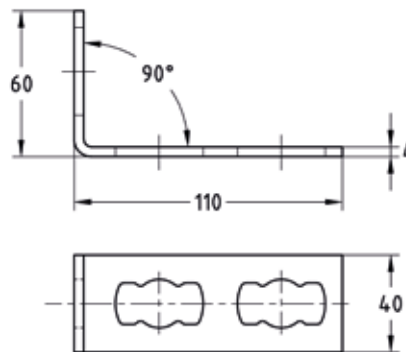
- Solid fixing element for construction of pre-wall installations and shelves as well as for channel constructions for attachments of pipelines and air ducts without welding
- For indoor use

Your advantages

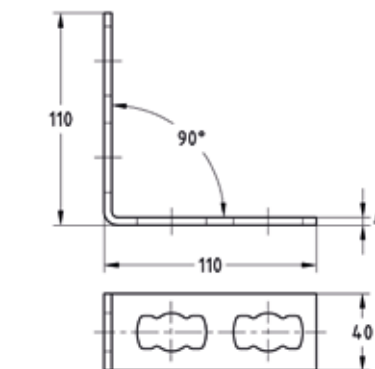
- Fast and simple installation of 90° corner joints with the MPR-Connection lock type S+
- Flexible use due to up to 4 connection locks depending on the design
- Increased load transfer when using 2 connection locks per leg



MPR-Mounting angle 90° 1+1 type S+



MPR-Mounting angle 90° 1+2 type S+



MPR-Mounting angle 90° 2+2 type S+

Features



Material thickness of support channel [mm]	Design	Permissible load F ₁ [N]	Permissible load F ₂ [N]
1.5	1+1	2,500	2,000
	1+2		
	2+2		
2.0, 2.5	1+1	4,000	2,500
	1+2		
	2+2		

Design	For profiles	Part no.	Sales unit	Pack unit
1+1	41/21-41/124	165838	25	Pieces
1+2		165839		
2+2		165840		