

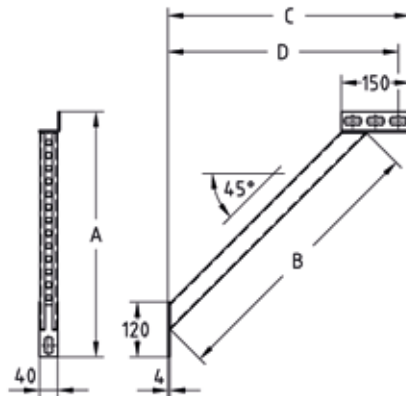
MPR-Diagonal struts type S+ galvanised

Application

- Supporting strut for reinforcement of corner joints in structures made of MPR-Support channels and MPR-Connection lock type S+
- For indoor use
- Also suitable for lateral support of consoles, e.g. for use with fixed points

Your advantages

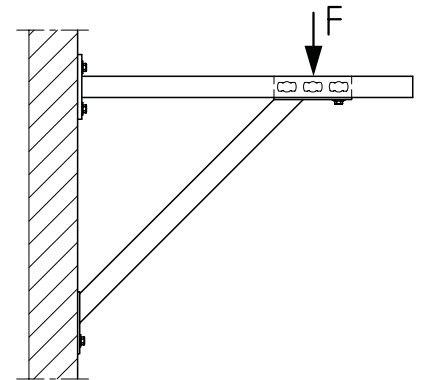
- Easily connected with the MPR-Support channels due to installation with the MPR-Connection lock type S+
- Various lengths available for different on-site installation conditions



Features



Length [mm]	Max. recommended load mounting in support channel slot F [N]
440	2,500
900	2,000



For profiles	Length [mm]	Dimensions [mm]				Part no.	Sales unit	Pack unit
		A	B	C	D			
41/41-41/124	440	395	440	380	355	165816	1	Pieces
	900	741	900	734	709	165818		