

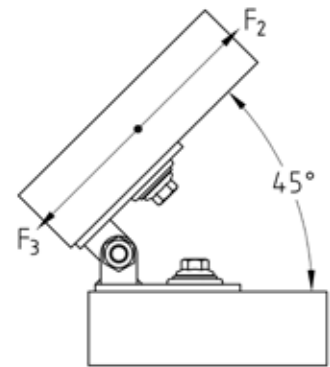
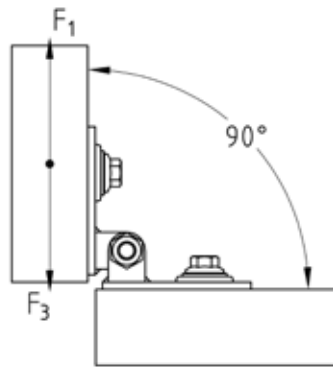
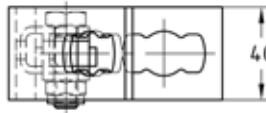
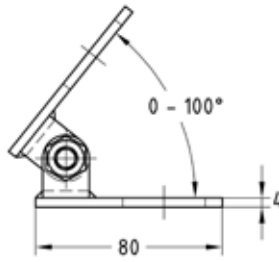
MPR-VARIO joint type S+ galvanised

Application

- Flexible use for connection of MPR-Support channels, where different angle settings are required, such as for supports on brackets, etc.
- For indoor use

Your advantages

- Pivot angle from 0° to 100° for fast and flexible adaptation to a wide variety of attachment situations - saves time and costs at the construction site
- Cost savings can be realized in the area of stockkeeping, as a variety of support solutions can be realized with only one item
- Stable design of the joint for optimal transmission of force
- Fast and simple installation using connection locks type S+



Features



| | |
|----------------------------|-------|
| Permissible load F_1 [N] | 750 |
| Permissible load F_2 [N] | 500 |
| Permissible load F_3 [N] | 4,000 |
| Tightening torque [Nm] | 40 |

| | | | |
|------------------------------|--------------------|------------------|---------------------|
| For profiles 41/21-41/124 | Part no. 165819 | Sales unit 10 | Pack unit Pieces |
|------------------------------|--------------------|------------------|---------------------|