

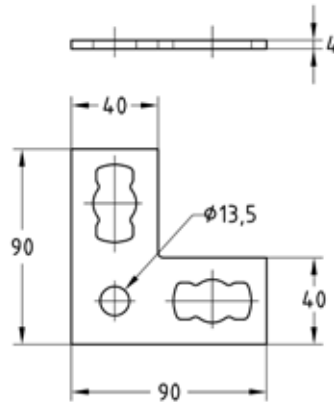
### MPR-Connection plates type S+ galvanised

#### Application

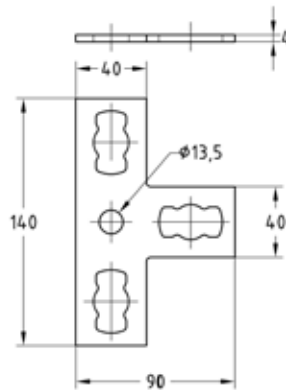
- Strong connection elements for frames and pre-wall installations using the MPR-System components
- For indoor use

#### Your advantages

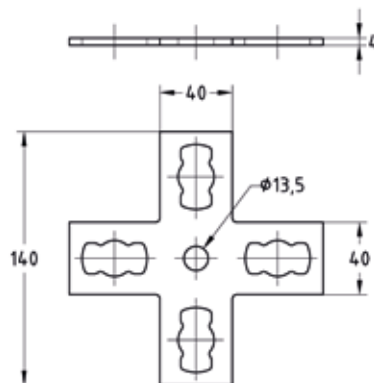
- Simple and quick connection of angle connections, cross connections and T-connections
- The mounting plates enable frame construction in one plane in which the channel slots have the same alignment
- Quick and simple attachment in combination with the MPR-Connection lock type S+
- Good adaptation to rail widths; in the case of frame constructions, the corners remain free



MPR-Angle plate 90° type S+



MPR-T-connection plate type S+



MPR-Cross connection plate type S+

#### Features



Type	For profiles	Part no.	Sales unit	Pack unit
Angle plate 90°	41/21-41/124	165829	25	Pieces
T-connection plate		165827		
Cross connection plate		165828		