

MPR-Construction bracket type S+

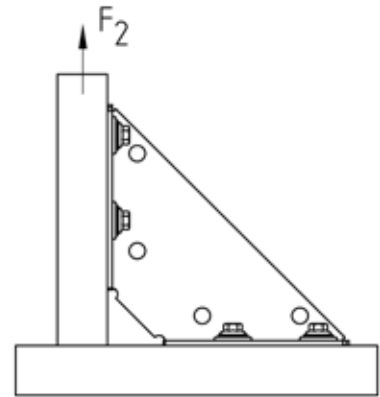
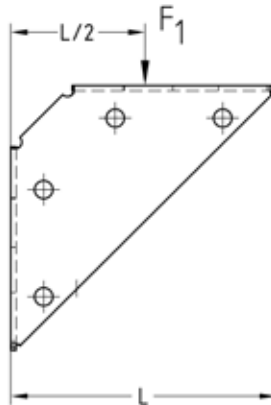
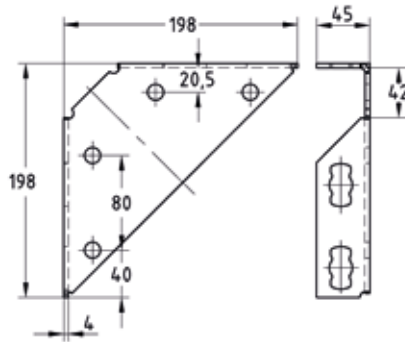
hot-dip galvanised

Application

- Ideal connecting element for the construction of cross-beams, frames and shelving systems when used with MPR-Support channels
- For indoor and outdoor use

Your advantages

- A wide variety of installation options in MPR-Support channels and with the connection lock type S+
- Ensures stable corner joints



Features



Permissible load F_1 [N]	Admissible load F_2 (material thickness of support channel 2.0 mm) [N]	Admissible load F_2 (material thickness of support channel 2.5 mm) [N]
2,250	4,000	4,000

Size	Part no.	Sales unit	Pack unit
198 x 198 mm	165914	1	Pieces

