

Cantilever brackets

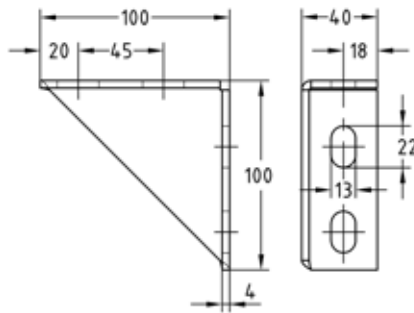
galvanised

Application

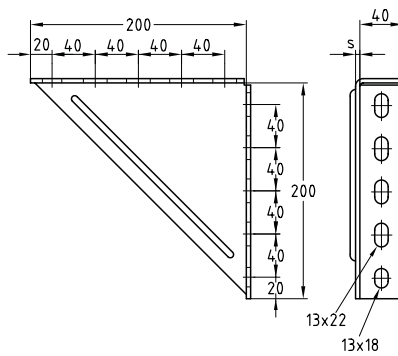
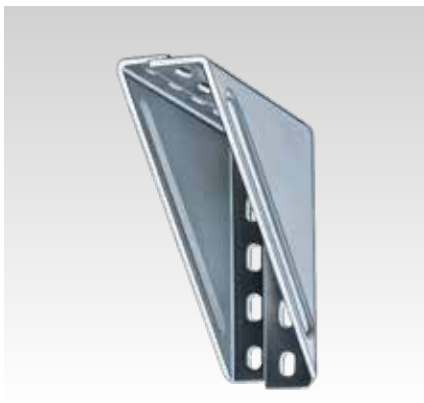
- Ideal connecting element for the construction of cross-beams and frames systems with support channels
- For use in dry interiors

Your advantages

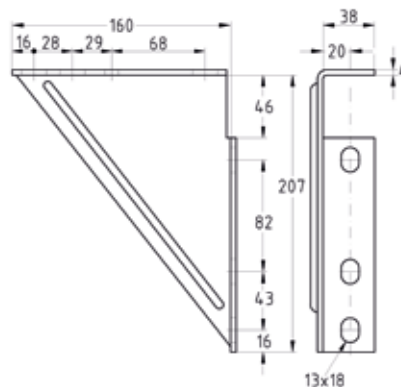
- Variety of mounting possibilities when used with MPC- and MPR-Support channels
- Strengthening and increasing the loading capacity of support channels and traverses
- Even greater strength values can be achieved by bolting two equalsided cantilever brackets together



Cantilever bracket 100 x 100



Cantilever bracket 200 x 200



Cantilever bracket 207 x 160

Features



Type	Design	For profiles	Part no.	Sales unit	Pack unit
-	100 x 100 x 4 mm	38/24-40/120,	167126	20	Pieces
1	200 x 200 x 4 mm	41/21-41/124	113628	1	
2	200 x 200 x 6 mm		113643		
-	207 x 160 x 4 mm		113610		

For further technical information please refer to chapter „Technical information“.