

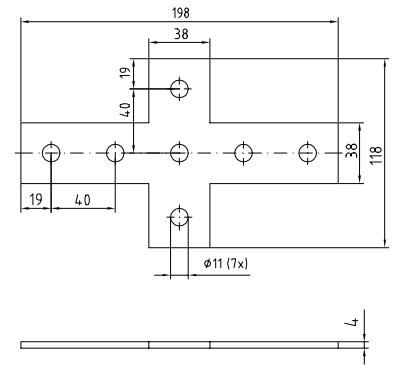
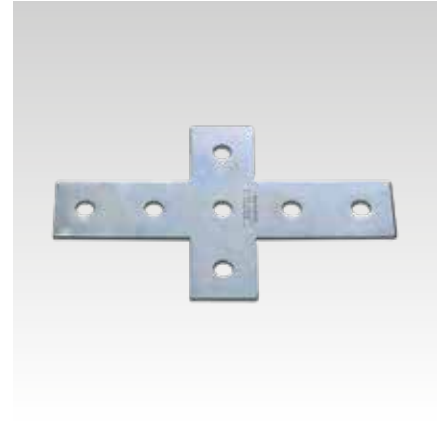
Cross connection plate galvanised

Application

- Cross connection plate for connecting up to four MPC- and MPR-Support channels in one plane

Your advantages

- Attachment at the rear perforation of the MPC- and MPR-Support channel leaves the channel slot free in all directions and enables fast installation of add-on parts
- Ideal connection element for creating subconstructions for ceiling suspensions



Features

For profiles	Part no.	Sales unit	Pack unit
38/24-40/120, 41/21-41/124	113778	25	Pieces

