

Cantilever brackets

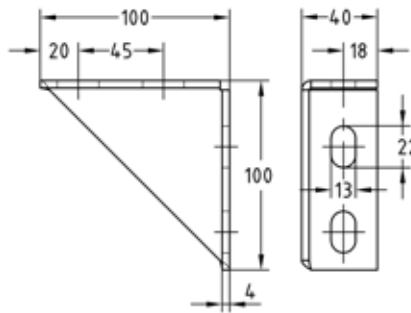
stainless steel

Application

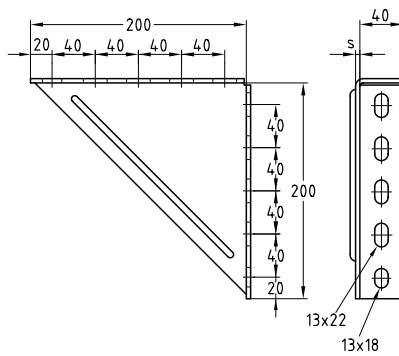
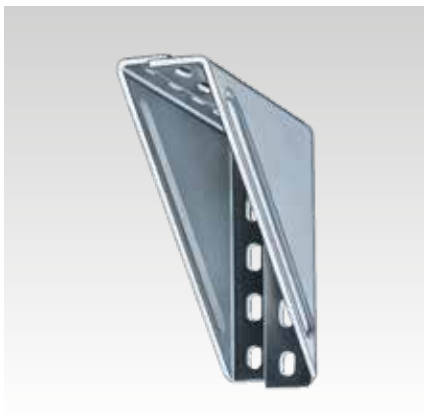
- For attachments to ceiling, wall and floor, free-standing or in a shaft
- Strong support bracket for water meters, distributing batteries, pumps and many other items

Your advantages

- Variety of mounting possibilities when used with MPC- and MPR-Support channels
- Strengthening and increasing the loading capacity of support channels and traverses
- Even greater strength values can be achieved by bolting two cantilever brackets together



Cantilever bracket 100 x 100



Cantilever bracket 200 x 200

Features



Type	Design	For profiles	Material V2A Part no.	Material V4A Part no.	Sales unit	Pack unit
-	100 x 100 x 4 mm	38/40, 40/60,	167128	-	20	Pieces
1	200 x 200 x 4 mm	41/21-41/124	113616	113619	1	

⚠ Cantilever brackets 100 x 100 made of V4A stainless steel are available upon request.

ℹ For further technical information please refer to chapter „Technical information“.