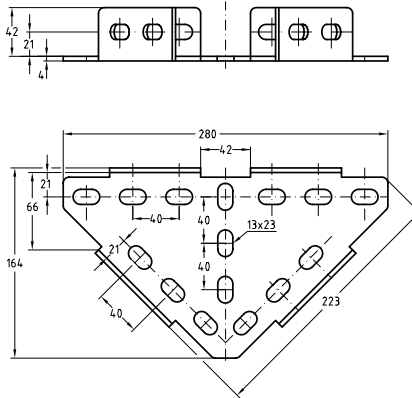


Construction brackets

stainless steel

Application

- Ideal connecting element for the construction of cross-beams, frames and shelving systems
- For direct mounting on ceilings, walls and floors or for installation with MPC- and MPR-Support channels used as: Angular support brackets, Angular load-bearing bracket, Basic prop, Angle bracket, Cross connection, Transverse support angle, Support angle, Connection element, Angular bracket



Type 2

Your advantages

- Great variety of mounting possibilities when used with MPC- and MPR-Support channels
- Provides solid joint and angle connections
- Any arrangement of channel opening possible

Features

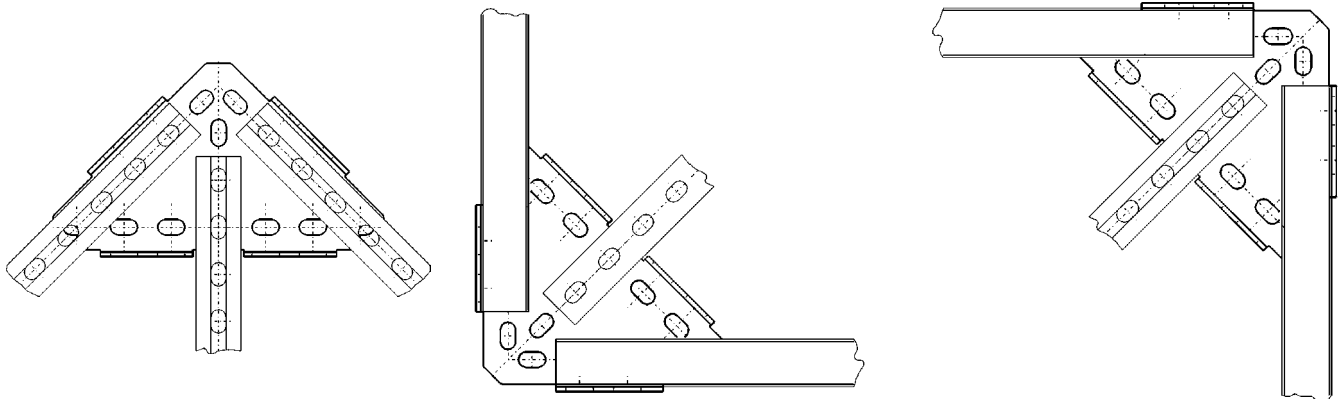


| Type | Design | For profiles | Material | Part no. | Sales unit | Pack unit |
|------|------------------|----------------------------|----------|----------|------------|-----------|
| 2 | 280 x 164 x 4 mm | 38/40, 40/60, 41/21-41/124 | V2A | 113595 | 1 | Pieces |

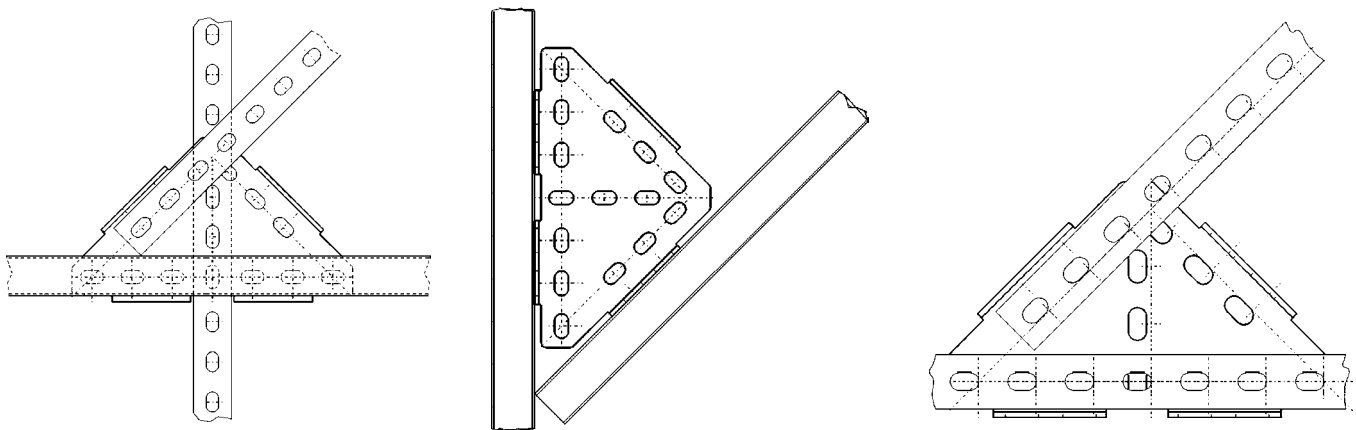


Construction brackets

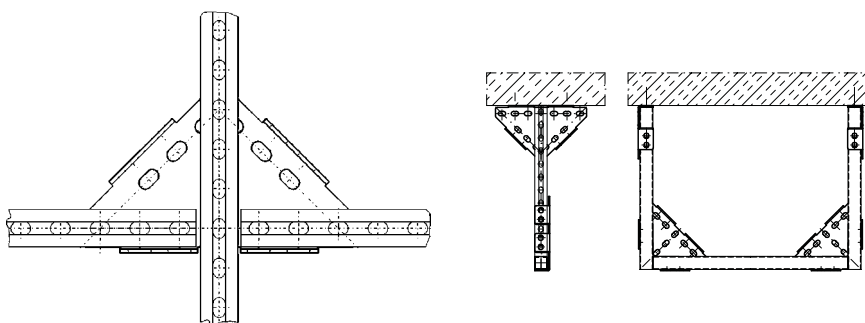
stainless steel



As junction plate, as the mounting slot of the MPC-Support channels can be aligned in any position. This guarantees a variety of mounting arrangements for an optimum solution to any problem is guaranteed



As 45° support, optional attachment with internally or externally positioned MPC-Support channel



As a cross-connection, also realizable with continuous MPC-Support channels

As transverse support, for additional lateral rigidity

