

## Supporting angle

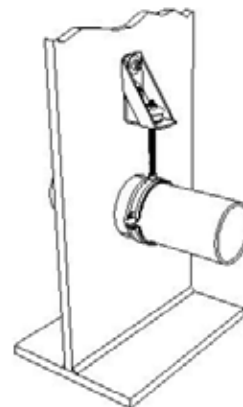
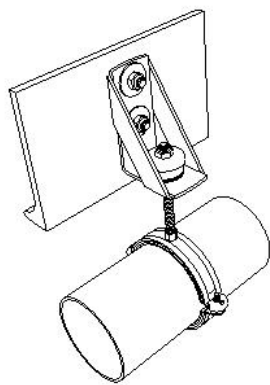
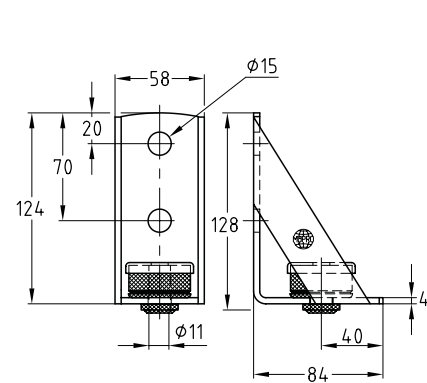
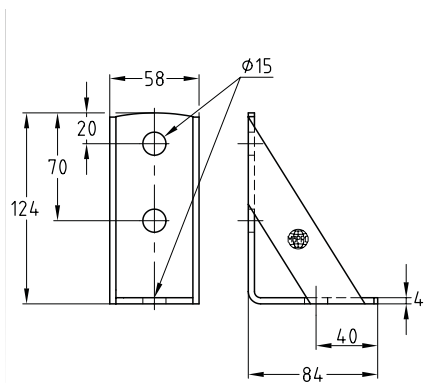
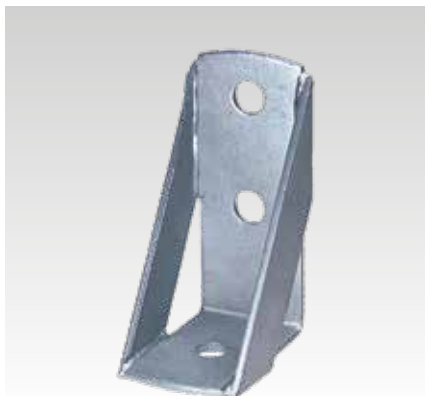
stainless steel

### Application

- For lateral suspension of pipelines on reinforced concrete beams
- As substructure for the attachment of fittings, e.g. water meters

### Your advantages

- Angle element for higher requirements for stability of mounting structures
- With high-quality vibration control of DÄMMGULAST® Resilient pad
- Usable as bracket for supporting heavy loads close to a wall
- For supporting cross-beams in confined spaces



### Features



Design	Max. recommended load [N]	Average vibration reduction [dB(A)]
with DÄMMGULAST® Resilient pad	1,000	17
without DÄMMGULAST® Resilient pad	1,650	-

Design	Material V2A Part no.	Material V4A Part no.	Sales unit	Pack unit
with DÄMMGULAST® Resilient pad	127786	127783	10	Pieces
without DÄMMGULAST® Resilient pad	127795	127798		