

Cantilever brackets

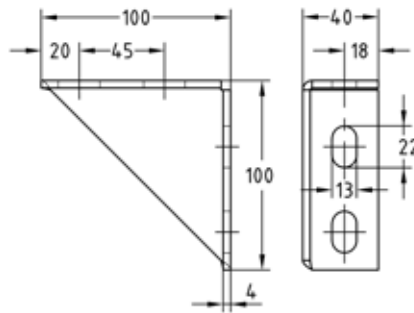
hot-dip galvanised

Application

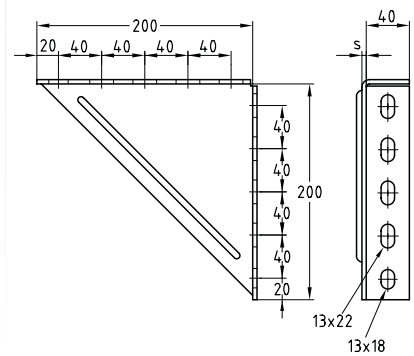
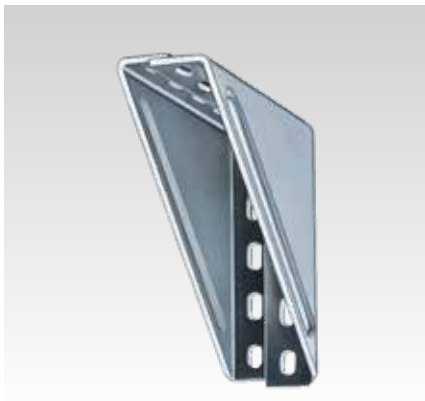
- For attachment to ceiling, wall and floor, free-standing or in a shaft
- Strong support bracket for water meters, distributing batteries, pumps and many other items
- Suitable for outdoor use

Your advantages

- Variety of mounting possibilities when used with MPC- and MPR-Support channels
- Reinforces and increases the load capacity of channel structures and cross-beams
- Even greater strength values can be achieved by bolting two equalsided cantilever brackets together



Cantilever bracket 100 x 100



Cantilever bracket 200 x 200

Features

Type	Design	For profiles	Part no.	Sales unit	Pack unit
-	100 x 100 x 4 mm	38/40-40/120, 41/21-41/124	167127	20	Pieces
2	200 x 200 x 6 mm		113634	1	



i For further technical information please refer to chapter „Technical information“.

