

2-hole bars

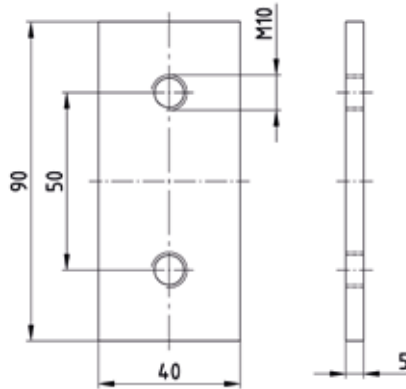
grid 50, galvanised

Application

- For transverse connection of MPC-Installation channels BV or SB
- Bar for direct mounting on the back of the channel

Your advantages

- Connecting bar with welded-on hex nuts
- Fast and easy mounting thanks to welded-on hex nuts
- Standard version, galvanised
- Also available in additional surface treatments on request



Features



For profiles	Connecting thread	Length [mm]	Width [mm]	Thickness [mm]	Part no.	Sales unit	Pack unit
38/24 BV, 38/24 SB, 38/40 BV	M10	90	40	5	147866	1	Pieces



These products are manufactured to order. Minimum quantities and delivery time on request.