

MPT-Guide

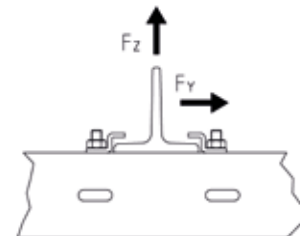
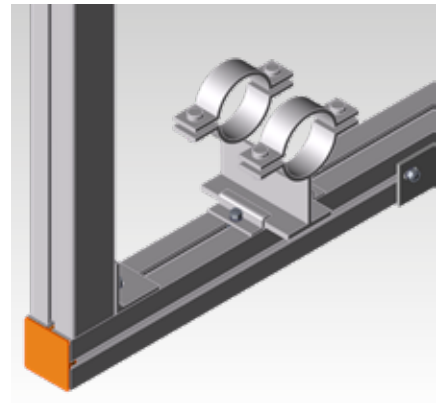
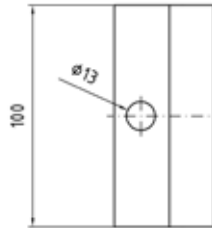
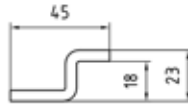
hot-dip galvanised

Application

- Stable hot-dip galvanised and perforated guide plate for fastening heavy pipe slides on the MPT-Support profiles

Your advantages

- The broad support surface offers particularly safe transmission of the clamping forces
- Safe fastening of pipe slides on the MPT-Support profiles



Features

For profiles	Max. recommended load F_y [N]	Max. recommended load F_z [N]
Q50-2.5, Q80-2.0, Q100-2.5, Q100-3.5, Q150-2.5	2,500	2,500

For profiles	Weight [kg]	Part no.	Sales unit	Pack unit
Q50-2.5, Q80-2.0, Q100-2.5, Q100-3.5, Q150-2.5	0.25	135607	1	Pieces

 For fixing a pipe slide two pieces guide angles must be ordered.