

MPT-Guide type F and FG

hot-dip galvanised

Application

- For guiding MÜPRO pipe slides on subconstructions of MPT-Support profiles
- Suitable as guide without lift lock
- Hot-dip galvanised version for indoor and outdoor applications

Your advantages

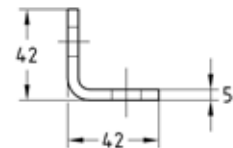
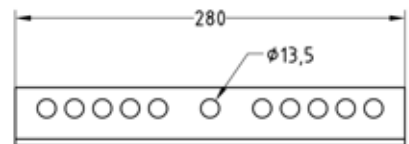
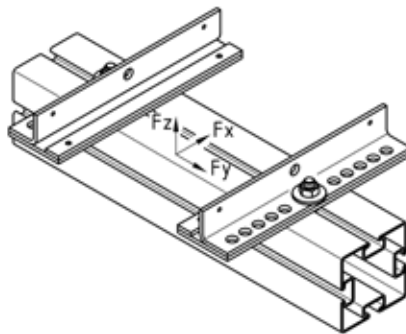
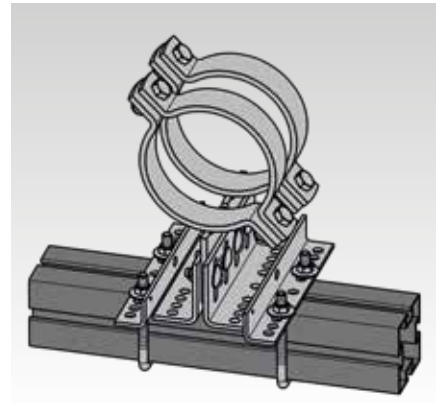
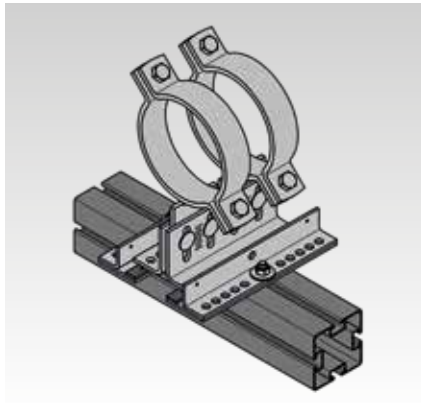
- Guide angle set for simple installation of pipe slides on MPT-Profiles with or without slider to reduce reaction forces



Type FG, with sliding plate



Type F, without sliding plate



Type	For profiles	For thread	Loading			Weight [kg]	Part no.	Sales unit	Pack unit
			F _x [kN]	F _y [kN]	F _z [kN]				
Type F, without sliding plate	Q50-2.5, Q80-2.0, Q100-2.5,	M12	-	± 3	-	1.556	170656	10	Set
Type FG, with sliding plate	Q100-3.5, Q150-2.5					3.17	170654		