

### MPT-Guide type FGH

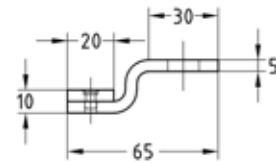
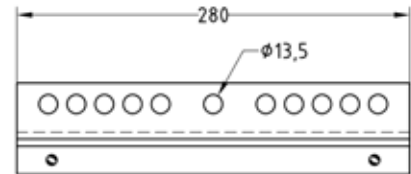
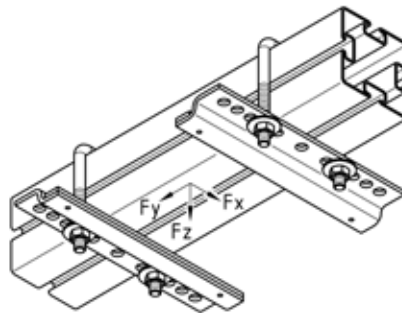
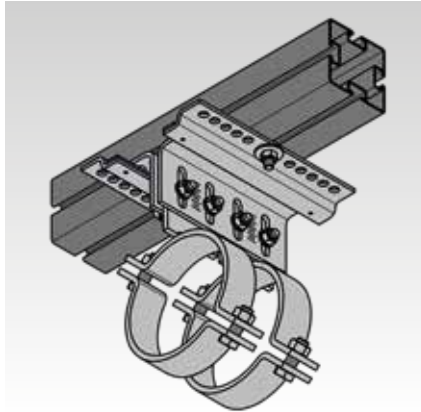
hot-dip galvanised

#### Application

- For fastening suspended MÜPRO pipe slides below subconstructions of MPT-Support profiles
- Suitable for guides with lift lock for installing suspended pipe slides
- Hot-dip galvanised version for indoor and outdoor applications
- Applicable for pipe slides with a base plate thickness up to 15 mm

#### Your advantages

- Guide angle set for simple installation of pipe slides on MPT-Profiles with or without slider to reduce reaction forces



Type	For profiles	For thread	Loading			Weight [kg]	Part no.	Sales unit	Pack unit
			F <sub>x</sub> [kN]	F <sub>y</sub> [kN]	F <sub>z</sub> [kN]				
Type FGH, with slide plate	Q50-2.5, Q80-2.0, Q100-2.5, Q100-3.5, Q150-2.5	M12	-	± 3	+ 8	1.626	168856	10	Set

