

MPT-Connection plates

hot-dip galvanised

Application

- Hot-dip galvanised plates for connection of MPT-Support profiles

Your advantages

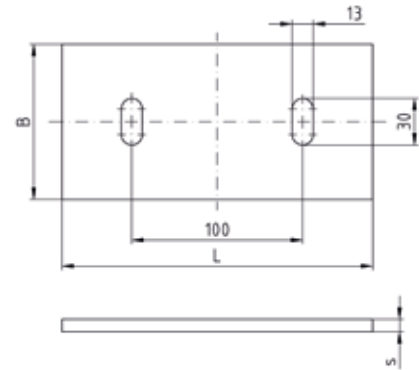
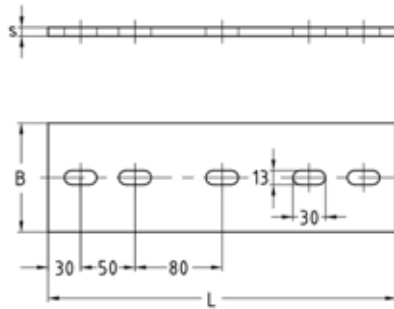
- Fast connection via oblong holes combined with MPT-Hammer head bolts



For profiles Q50, Q100, Q150
(length 320 mm)



For profiles Q50, Q100, Q150
(length 200 mm), Q80



For profiles	Length L [mm]	Thickness s [mm]	Dimensions B [mm]	Weight [kg]	Part no.	Sales unit	Pack unit
Q50-2.5, Q100-2.5, Q100-3.5, Q150-2.5	200	8	100	1.22	148007	1	Pieces
	320			2.02	151337		
Q80-2.0	160		80	0.779	167321		